

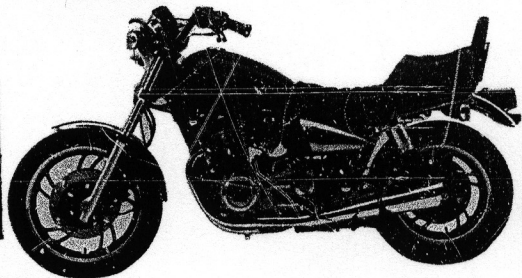
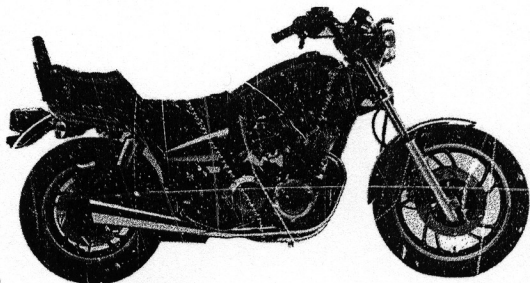
# 1982 XJ1100J Microfiche

General Information	a1, 2, 3, 4	HANDLEBAR - CABE	F-11,12
		HNDL SWITCH - LEVER	H-1
A.C. GENERATOR	C-1	HEADLIGHT	G-11
ACCESSORIES & SPECIALTIES	L-11,12	INTAKE	B-3,4
BRAKE	G-5,6	MIDDLE DRIVE GEAR	C-10,11
CAMSHAFT - CHAIN	A-9	OIL CLEANER	B-2
CARBURETOR	B-5 6, 7	OIL PUMP	A-12
CLUTCH	C-6,7	OIL PUMP	B-1
CRANKCASE	B-10,11	PICKUP COIL - GOVERNOR	C-2
CRANKCASE COVER	B-12	PRIMARY SHFT - CHAIN	C-5
CRANKSHAFT - PISTON	A-7,8	REAR ARM - SUSPENSION	E-5,6
CYLINDER	A-6	REAR BRAKE CALIPER	F-10
CYLINDER HEAD	A-5	REAR WHEEL	F-8, 9
DRIVE SHAFT	E-7,8	SEAT	F-4
ELECTRICAL 1	H-2,3	SERVICE DATA	J-
ELECTRICAL 2	H-4, 5, 6	SHIFT CAM - FORK	C-12
EXHAUST	B-8,9	SHIFT CAM - FORK	D-1
FLASHER LIGHT	G-7,8	SHIFT SHAFT - PEDAL	D-2
FRAME	E-1	SIDE COVER - TOOL	E-3,4
FRNT BRAKE - CALIPER	F-6,7	SPEEDO. - TACHO.	G-9,10
FRONT FENDER - REAR FENDER	E-2	STAND - FOOTREST	G-3,4
FRONT FORK	E 9, 10, 11	STARTER CLUTCH	C-4
FRNT MSTR CYLNDR	G-1,2	STARTING MOTOR	C-3
FRONT WHEEL	F-5	STEERING	E-12
FUEL COCK - PIPING	F-2,3	TAILLIGHT	G-12
FUEL TANK	F-1	TRANSMISSION	C-8,9
		VALVE	A-10,11



# YAMAHA

## PARTS CATALOGUE XJ1100J (10M) MODEL YEAR 1982



(A) Frame Serial No.	10M-000101 and following
(B) Engine Serial No.	10M-000101 and following

XJ1100J VIN #: JYA-10M00-{ }CA-000101

PUBLICATION	PART NUMBER	REMARKS
OWNER'S MANUAL	LIT-11626-02-78	
SERVICE MANUAL	LIT-11616-02-78	
ASSEMBLY MANUAL	LIT-11666-02-78	
CONSUMER MANUAL	LIT-11656-02-78	

MODEL - BSM LB. NUMBER	XJ1100J-B	XJ1100J-R	10mi
Initial Engine Number / Frame Number	10M-000101 / 10M-000101		
Basic Color(s)	New Yamaha Black (B)	New Ruby Red (R)	
Fuel Type / Fuel Tank Capacity / Reserve Capacity	Regular / 19 Lit. / 4.1 Lit.		
Dry Vehicle Weight	257 kg		
ENGINE TYPE	4-Stroke, DOHC, Transverse Four		
Bore/Stroke/Number Cylinders/Displacement (cc)	71.5mm / 68.6mm / 4 / 1101cc		
Compression Ratio/Compression Pressure	9.0:1 / 10.0 kg/cm <sup>2</sup>		

## I. How to Read the Yamaha Part Number (cont'd.)

### B. General Parts (cont'd.)

1. Model Code Number Data: XX0-X000X-X0-X0 (cont'd.)

b. The major portion of letter-for-number substitutions will occur with the second position of this three-digit group (i.e.: 0X0-00000-00-00). This letter has no other significance other than model identification. The model identification indicates the original model in which the part was used.

i.e.: 1A0-00000-00-00 — Identifies RD400 Model  
 2A0-00000-00-00 — Identifies XS400D Model  
 8A0-00000-00-00 — Identifies GS340 Model

2. Basic Part Number Data: XX0-X000X-X0-X0

The second group of five digits is the actual part group identification number (i.e.: 11631 = piston; 11311 = cylinder, etc.). A "W" substituted in the first position of this five-digit group (000-W0000-00-00) indicates a factory assembled kit which differs in content from the original assembly used in production (i.e.: 2M0-W0046-00-00 — Rear Brake Pad Ass'y.). The first three digits of this five-digit group (000-XXX00-00-00) indicates the general sections and areas of the models. The fourth and fifth digits of this group (000-000X-00-00) indicates the specific part within these general sections and areas. In the case of number overflow, a letter will be substituted in the fifth digit position of this five-digit group (i.e.: 1T4-2814A-00-00 — Wire Tool).

3. Design Code Number Data: XX0-X000X-X0-X0

The ninth and tenth digits of the part number indicates differences, corrections or modifications to the original part number. The ninth digit position (000-00000-0X-00) may be substituted with a letter. This position indicates variations that may exist within a specific item.

i.e.: 1J7-12169-A1-00 — Pad Adjust  
 1J7-12169-E1-00 — Pad Adjust  
 1J7-12169-F1-00 — Pad Adjust

The tenth digit of the part number (000-00000-0X-00) indicates the number of times the design of that part has been changed. At this time, THIS WILL REMAIN NUMERICAL.

4. Color or Finish Code Data: XX0-X000X-X0-X0

The last two digits of the part number will indicate the finish or color of the item if applicable. In this last group, only the eleventh digit may be replaced with a letter (i.e.: 1T4-24785-00-U8 — Seat Molding).

### C. Interchangeable Parts

These part numbers always begin with the number "9" and are divided into three sections. The first two sections contain five digits each, with the remaining two digits in the last section.

This parts catalog lists parts and sub-assemblies for the XJ1100J. When preparing a parts order, please refer to the most recently updated microfiche for the model.

## I. How to Read the Yamaha Part Number

A. Factory O.E.M. parts are divided into two general categories: General Parts and Interchangeable Parts.

B. General Parts — Refers to parts manufactured for one or more specific Yamaha models (i.e.: pistons, frames, cranks, tanks, fuel tanks, etc.). This twelve-digit part number is structured as follows: 000-00000-00-00.

Pre-1976 GENERAL PART numbers are constructed as follows:

General Parts: 000 - 00000 - 00 - 00

Model Code No. \_\_\_\_\_

Basic Code No. \_\_\_\_\_

Design Code No. \_\_\_\_\_

Design Change Code No. \_\_\_\_\_

Color Code No. \_\_\_\_\_

GENERAL PART numbers, for all models manufactured after 1975, are constructed as follows:

Due to the amount of new parts being added to Yamaha's system, and the lack of available numerals for the assigning of new part numbers, it has become necessary to use an alpha-numerical system in the numbering of new parts. At the present time, Yamaha will be or is using seventeen letters in the alpha-numeric system. These letters are: A, E, F, G, H, J, K, L, M, N, R, T, U, V, W, X & Y. An "X" within the part number structure of the General Parts group indicates a position in which a letter may be used in place of a number. For example: XX0-X000X-X0-X0. The group breakdown of the general part number structure is:

1. Model Code Number Data: XX0-X000X-X0-X0

The first three digits within the general part number structure are model designation numbers. Within this three-digit group, two numbers may be replaced with letters.

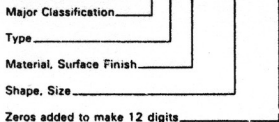
a. If the first figure of the model code group is "Y" (i.e.: Y00-00000-00-00), the part is imported to the U.S. from a source other than Japan. For example: YG4-11000-22-0G — Middle Gear Case Assembly. This indicates that at least part of this item was manufactured outside of Japan.

## I. How to Read the Yamaha Part Number (cont'd.)

### C. Interchangeable Parts (cont'd.)

The following is a breakdown of the interchangeable part number:

Interchangeable Parts: 9 00 00 - 00000 - 00



At this time, a letter may be substituted in two positions on interchangeable part numbers.

1. Type/Kind code: 9 X0 00-0000-00  
With the large amount of new types and kinds of interchangeable parts, it will be necessary to replace this position with a letter in some cases.

2. Shape, Size: 90000-000X0-00  
In the case of bearings, the last two digits of the second group of five digits indicates the registration (identification) number of that bearing. Because of the large amount of new bearings being developed, the ninth position of the part number (90000-000X0-00) may be replaced with a letter (i.e.: 93310-422E6-00 - Bearing Big End.).

### D. Part Number Sequence

As you can see from the above explanations, part numbers which include alpha characters in their twelve digits are newly developed items. Therefore, when you look for an item in the price list, it is natural to think that all numeric part numbers will be listed in the front, and the alpha-numeric part numbers will be in the back.

Unfortunately, today's computer has been designed to normally pick alpha characters first, with numeric characters second (unless specifically programmed otherwise). This fact sometimes gives some confusion in understanding Yamaha's part number sequence so please see the following example:

EXAMPLE: Model Code (first 3 digits) sequence has been appearing in Yamaha's master price list as follows:

- 1A1 RD400C
- 1Y9 RC100S (Europe Model)
- 101 MF1
- 199 YL1E Minor
- 2A0 RS125 (Europe Model)
- 2Y9 Will be assigned in future
- 200 YGS1K (Other Market Model)
- 3A0 Will be assigned in future

Please note the alpha-numeric numbers appear before the numeric numbers.

## II. How to Use This Parts List

- A. Except for steel balls (ball sizes are indicated in inches), all parts sizes are indicated in millimeters as in the following examples:

Hose (Rubber or vinyl) .....	Inside Diameter - Length
O-Ring .....	Section Area - Inside Diameter
Washer, Shim, Collar .....	Inside Diameter - Outside Diameter Thickness (Length)

- B. Parts, supplied in the form of sub-assemblies, are identified by an indentation of one letter space, and the description is preceded by a dot ( . ). If 2 main assemblies are listed, each different yet having the same basic description (i.e.: left and right sides of the same assembly), one will immediately follow the other. If each of these main assemblies is made up of almost the same components, these component parts will be listed immediately under the second main assembly line and will be indicated, as noted above.

If the component is the same for both main assemblies, the quantity indicated will be the total required. If the component is not the same for both main assemblies, the quantity for each separate item will be listed separately.

### EXAMPLES:

Description	Qty.
CARBURETOR ASSY, left .....	1
CARBURETOR ASSY, right .....	1
. JET, pilot .....	2
. NOZZLE, main .....	2
. *	
. LEVER, starter, left .....	1
. LEVER, starter, right .....	1

### C. Keys to Symbols

U.R.	Use size (thickness) and/or number as required
U.N.	Use as many as you need
T	Number of teeth in a gear
V	Voltage for light bulbs
S	"S" type oil seal or "S" type circlip
SD,SO,SW	"SD", "SO", or "SW" type oil seal
E,R	"E" or "R" type circlip
F/No.	Frame No. (Applicable Machine No.)

### D. Basis for Determining Right and Left in Relation to Parts

Right or left is determined by the rider facing toward the front of the machine.

# FOREWORD

## II. How to Use This Parts List (cont'd.)

### E. Superseded Part Numbers

1. If part 'A' has been superseded by part 'B', and both 'A' and 'B' are interchangeable, the superseding part number (part 'B') will appear in the part number listing with the superseded part number (part 'A') appearing in parentheses immediately following the description.

#### EXAMPLE:

Ref. No.	Part No.	Description	Qty.
	(Part 'B')	(Part 'A')	
8	123-45678-00-00	CYLINDER (111-12345-00)	1

2. If part 'A' is a substitution of part 'B', and parts 'A' and 'B' are both available in stock, part 'A' will appear first in the part number listing and part 'B' will appear directly under part 'A'. When the stock is depleted on part 'A', the computer will automatically ship part 'B'.

#### EXAMPLE:

Ref. No.	Part No.	Description	Qty.
8	111-12345-00-00	CYLINDER.....	1
	123-45678-00-00	CYLINDER (111-12345-00)	1

3. If a part is no longer available, the part number will appear in the part number listing in parentheses and 'N/A' (no longer available) will appear in the remarks column directly to the right of the entry.

#### EXAMPLE:

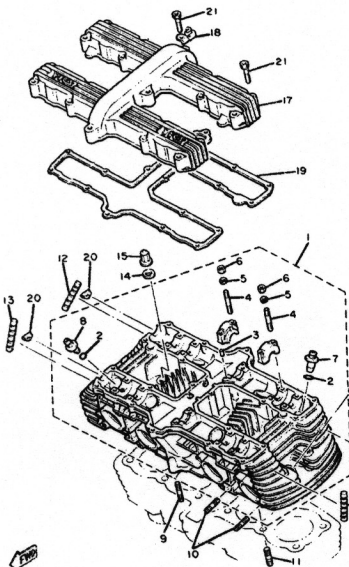
Ref. No.	Part No.	Description	Qty.
8	(111-12345-00-00)	CYLINDER.....	1 N/A

4. A part that has been superseded to a kit may be identified by a 99999-00000 part number appearing in the part number column. The old superseded part number will appear in parentheses immediately following the description. Listed directly below the 99999 part number will be those parts making up the kit. The description of the parts making up the kit will be preceded by a small black dot ( . ) and the description will be indented one letter space.

#### EXAMPLE:

Ref. No.	Part No.	Description	Qty.
8	99999-12345-00	CYLINDER (111-12345-00)	1
	234-56789-00-00	. HEAD, cylinder .....	1
	345-67890-00-00	. GASKET, cylinder .....	1

# CYLINDER HEAD



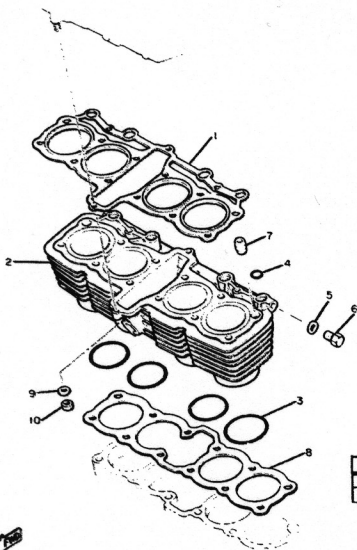
11G171-210

Ref. No.	Part Number	Description	Qty.	Remarks
* 1	10M-11116-00-00	CYLINDER HEAD ASS'Y	1	
2	93210-11131-00	O-RING	8	
3	93603-09004-00	PIN, dowel	4	
4	30116-06228-00	BOLT, stud	20	
5	92901-06600-00	WASHER, plate	20	
6	95311-06600-00	NUT	20	
7	1J7-11133-10-00	GUIDE, intake valve (1st O/S)	4	
8	1J7-11134-10-00	GUIDE, exhaust valve (1st O/S)	4	
9	90116-08161-00	BOLT, stud	2	
10	95621-08615-00	BOLT, stud	8	
*11	95621-08630-00	BOLT, stud	2	
12	2H7-11161-00-00	ABSORBER 1	2	
13	2H7-11162-00-00	ABSORBER 2	2	
14	90201-11697-00	WASHER, plate	12	
15	90179-10277-00	NUT	12	
16	94701-00116-00	PLUG, spark (NGK (BP-6ES))	1	
*17	10M-11191-00-00	COVER, cylinder head 1	1	
18	90465-10129-00	CLAMP	1	
19	2H7-11193-00-00	GASKET, head cover 1	1	
20	2G2-11138-00-00	PLUG	2	
21	91316-06035-00	BOLT	20	

\*Indicates new part numbers activated from March, 1981

Spark Plug Type	NGK BP6ES or ND W20EP-U
Spark Plug Gap / Torque / Cap $\Omega$	0.7 ~ 0.8mm / 2.0 m $\cdot$ kg / 5K $\Omega$ $\pm$ 10%
Cylinder Head Cover	6 x 1.0: 1.0 m $\cdot$ kg
Cylinder Head:	10 x 1.25: 3.5 m $\cdot$ kg (Use Oil)
	Nut 8 x 1.25: 2.0 m $\cdot$ kg Bolt 6 x 1.0: 1.0 m $\cdot$ kg

# CYLINDER



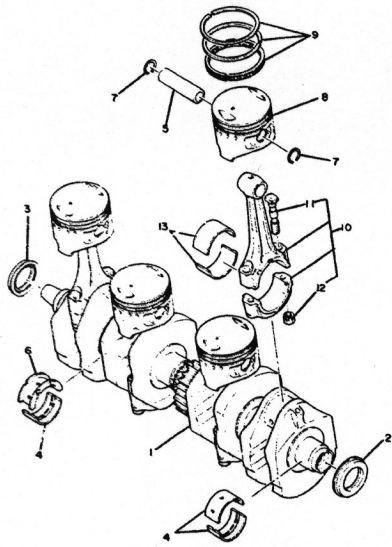
11G171 2020

Ref. No.	Part Number	Description	Qty.	Remarks
* 1	10M-11181-00-00	GASKET, cylinder head 1.....	1	
* 2	10M-11310-00-00	CYLINDER .....	1	
3	93210-77363-00	O-RING .....	4	
4	93210-09443-00	O-RING .....	4	
5	90201-12790-00	WASHER, plate .....	1	
* 6	90340-12065-00	PLUG, straight screw .....	1	
7	91830-24016-00	PIN, dowel .....	2	
8	2H7-11351-01-00	GASKET, cylinder .....	1	
9	90201-08382-00	WASHER, plate .....	2	
10	95316-08600-00	NUT .....	2	

\*Indicates new part numbers activated from March, 1981.

Initial Engine Number / Frame Number	10M-000101 / 10M-000101
Bore/Stroke/Number Cylinders/Displacement (cc)	71.5mm / 68.2mm / 4 / 110(cc)
Compression Ratio/Compression Pressure	9.0:1 / 10.0 kg/cm <sup>2</sup>

# CRANKSHAFT - PISTON



Ref. No.	Part Number	Description	Qty.	Remarks
1	2H7-11411-02-00	CRANKSHAFT .....	1	
2	93101-32087-00	OIL SEAL .....	1	
3	4H7-15389-10-00	SEAL, push rod .....	1	
4	2H7-11416-01-00	PLANE BEARING, crankshaft 1	9	U.R. Blue
	2H7-11416-11-00	PLANE BEARING, crankshaft 1	9	U.R. Black
	2H7-11416-21-00	PLANE BEARING, crankshaft 1	9	U.R. Brown
	2H7-11416-31-00	PLANE BEARING, crankshaft 1	9	U.R. Green
	2H7-11416-41-00	PLANE BEARING, crankshaft 1	9	U.R. Yellow
5	2H7-11533-01-00	PIN, piston .....	4	
6	2H7-11417-01-00	PLANE BEARING, crankshaft 2	1	U.R. Blue
	2H7-11417-11-00	PLANE BEARING, crankshaft 2	1	U.R. Black
	2H7-11417-21-00	PLANE BEARING, crankshaft 2	1	U.R. Brown
	2H7-11417-31-00	PLANE BEARING, crankshaft 2	1	U.R. Green
	2H7-11417-41-00	PLANE BEARING, crankshaft 2	1	U.R. Yellow
7	90468-12069-00	CLIP .....	8	
8	3H5-11631-00-46	PISTON (STD) .....	4	
	3H5-11635-00-00	PITON (1st O/S 0.25MM) .....	4	Alternate Part
	3H5-11636-00-00	PISTON (2nd O/S 0.50MM) .....	4	Alternate Part
	3H5-11637-00-00	PISTON (3rd O/S 0.75MM) .....	4	Alternate Part
	3H5-11638-00-00	PISTON (4th O/S 1.00MM) .....	4	Alternate Part
9	3J2-11610-00-00	PISTON RING SET (STD) .....	4	
	3J2-11610-10-00	PISTON RING SET (1st O/S) .....	4	Alternate Part
	3J2-11610-20-00	PISTON RING SET (2nd O/S) .....	4	Alternate Part
	3J2-11610-30-00	PISTON RING SET (3rd O/S) .....	4	Alternate Part
	3J2-11610-40-00	PISTON RING SET (4th O/S) .....	4	Alternate Part
10	1J7-11650-01-00	CONNECTING ROD ASS'Y .....	4	
11	1J7-11654-00-00	BOLT, connecting rod .....	2	
12	90170-09192-00	NUT .....	2	

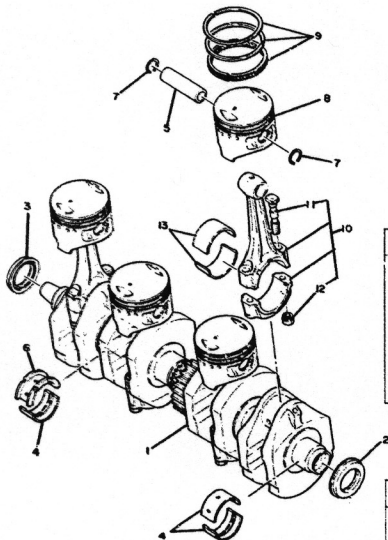
\*Indicates new part numbers activated from March, 1981.

Piston Skirt Clearance New / Max	0.080 ~ 0.055mm / 0.1mm
Ring End Gap Top / 2nd / 3rd	0.2 ~ 0.4mm / 0.2 ~ 0.4mm / 0.2 ~ 0.9mm

3U9171-0030



# CRANKSHAFT - PISTON



3U9171-0030

Ref. No.	Part Number	Description	Qty.	Remarks
13	2F3-11656-00-00	PLANE BEARING, connecting rod	8	U.R. Blue
	2F3-11656-10-00	PLANE BEARING, connecting rod	8	U.R. Black
	2F3-11656-20-00	PLANE BEARING, connecting rod	8	U.R. Brown
	2F3-11656-30-00	PLANE BEARING, connecting rod	8	U.R. Green
	2F3-11656-40-00	PLANE BEARING, connecting rod	8	U.R. Yellow

## CONNECTING ROD BEARING SELECTION

Housing No. - Shaft No. = Bearing No.

	Center thickness T	Housing diameter	No.	Shaft diameter	No.	Oil clearance
		45.5φ +0.024 +0.016	4	42.5φ 0 -0.008	1	0.042 - 0.064
BEARING 1 (BLUE)	1.5 +0.001 -0.003	45.5φ +0.016	5	42.5φ -0.009 -0.016	2	0.042 - 0.064
BEARING 2 (BLACK)	1.5 -0.003 -0.007	45.5φ 0	6	42.5φ -0.017 -0.024	3	0.042 - 0.064
BEARING 3 (BROWN)	1.5 -0.007 -0.011					0.042 - 0.064
BEARING 4 (GREEN)	1.5 -0.011 -0.015					0.042 - 0.064
BEARING 5 (YELLOW)	1.5 -0.015 -0.019					0.042 - 0.064

## CRANKSHAFT BEARING SELECTION

Housing No. - Shaft No. = Bearing No.

	Center thickness T	Housing diameter	No.	Shaft diameter	No.	Oil clearance
		39φ +0.024 +0.016	4	36φ 0 -0.008	1	0.035 - 0.059
BEARING 1 (BLUE)	1.5 +0.006 -0.002	39φ +0.016	5	36φ -0.009 -0.016	2	0.035 - 0.059
BEARING 2 (BLACK)	1.5 +0.002 -0.002	39φ +0.008 0	6	36φ -0.017 -0.024	3	0.035 - 0.059
BEARING 3 (BROWN)	1.5 -0.002 -0.006					0.035 - 0.059
BEARING 4 (GREEN)	1.5 -0.006 -0.010					0.035 - 0.059
BEARING 5 (YELLOW)	1.5 -0.010 -0.014					0.035 - 0.059

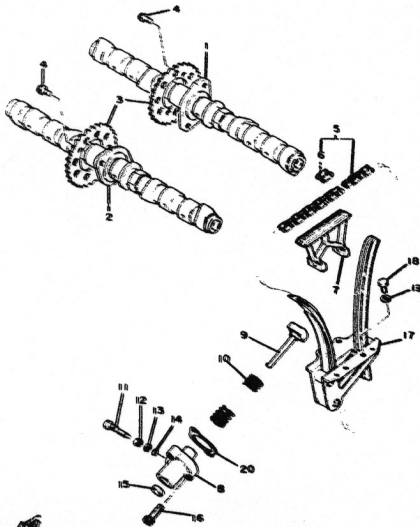
Piston Skirt Clearance New / Max

0.050 ~ 0.056mm / 0.1mm

Ring End Gap 1st / 2nd / 3rd

0.2 ~ 0.4mm / 0.2 ~ 0.4mm / 0.2 ~ 0.9mm

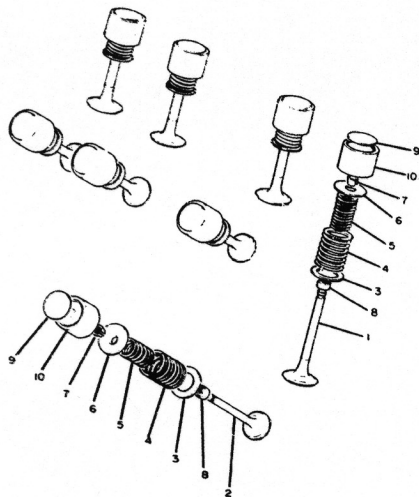
# CAMSHAFT - CHAIN



Ref. No.	Part Number	Description	Qty.	Remarks
1	3H5-12171-01-00	CAMSHAFT 1 .....	1	
2	3H5-12181-01-00	CAMSHAFT 2 .....	1	
3	1L9-12176-00-00	SPROCKET, cam chain (34T) ...	2	
4	90105-07087-00	BOLT, washer based. ....	4	
5	94500-02128-00	CHAIN (BF05M-128L) .....	1	
6	94600-02001-00	JOINT, chain. ....	1	Tsubakimoto
7	2H7-12241-00-00	GUIDE, stopper 2 .....	1	
8	2H7-12212-01-00	CASE, chain tensioner .....	1	
9	2H7-12217-01-00	ROD, chain tensioner .....	1	
10	90501-16493-00	SPRING, compression .....	1	
11	90109-08442-00	BOLT .....	1	
12	95301-08700-00	NUT .....	1	
13	92901-06600-00	WASHER, plate .....	1	
14	93210-06001-00	O-RING .....	1	
15	90338-14004-00	PLUG. ....	1	
16	91311-06025-00	BOLT .....	2	
17	2H7-12250-04-00	CHAIN DAMPER ASS'Y .....	1	
18	97321-06020-00	BOLT .....	4	
19	92901-06600-00	WASHER, plate .....	4	
20	2H7-12213-00-00	GASKET, tensioner case .....	1	

3H032-0040

# VALVE



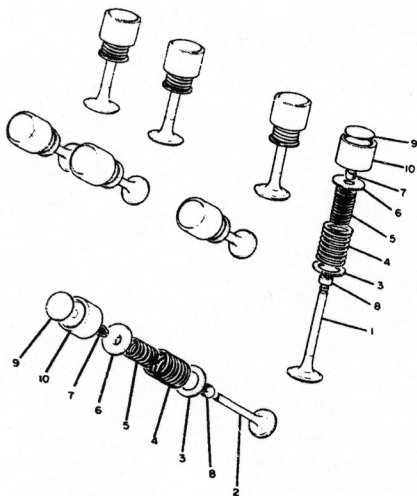
340332-1050

Ref. No.	Part Number	Description	Qty.	Remarks
1	3H5-12111-01-00	VALVE, intake	4	
2	3H5-12121-00-00	VALVE, exhaust	4	
3	1J7-12116-00-00	SEAT, valve spring	8	
4	90501-39414-00	SPRING, compression	8	
5	90501-28415-00	SPRING, compression	8	
6	2F3-12117-00-00	RETAINER, valve spring	8	
7	1J7-12118-00-00	COTTER, valve	16	
8	1J7-12119-01-00	SEAL, valve stem	8	
9	1J7-12169-01-00	PAD, adjusting (2.00)	8	U.R.
	1J7-12169-11-00	PAD, adjusting (2.05)	8	U.R.
	1J7-12169-21-00	PAD, adjusting (2.10)	8	U.R.
	1J7-12169-31-00	PAD, adjusting (2.15)	8	U.R.
	1J7-12169-41-00	PAD, adjusting (2.20)	8	U.R.
	1J7-12169-51-00	PAD, adjusting (2.25)	8	U.R.
	1J7-12169-61-00	PAD, adjusting (2.30)	8	U.R.
	1J7-12169-71-00	PAD, adjusting (2.35)	8	U.R.
	1J7-12169-81-00	PAD, adjusting (2.40)	8	U.R.
	1J7-12169-91-00	PAD, adjusting (2.45)	8	U.R.
	1J7-12169-A1-00	PAD, adjusting (2.50)	8	U.R.
	1J7-12169-E1-00	PAD, adjusting (2.55)	8	U.R.
	1J7-12169-F1-00	PAD, adjusting (2.60)	8	U.R.
	1J7-12169-G1-00	PAD, adjusting (2.65)	5	U.R.
	1J7-12169-H1-00	PAD, adjusting (2.70)	8	U.R.

Valve Clearance (Cold) Intake / Exhaust

0.11 ~ 0.15mm / 0.21 ~ 0.25mm

# VALVE

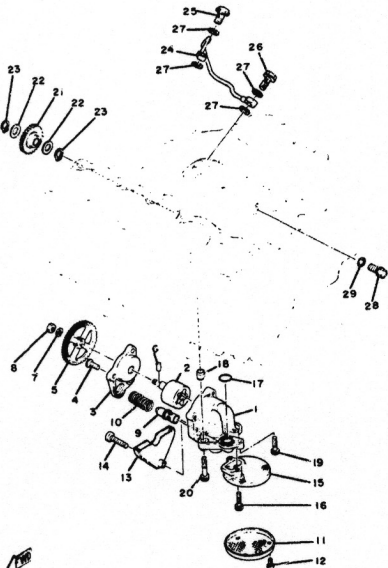


  
 3X0332-1050

Ref. No.	Part Number	Description	Qty.	Remarks
	1J7-12169-J1-00	PAD, adjusting (2.75)	8	U.R.
	1J7-12169-K1-00	PAD, adjusting (2.80)	8	U.R.
	1J7-12169-L1-00	PAD, adjusting (2.85)	8	U.R.
	1J7-12169-M1-00	PAD, adjusting (2.90)	8	U.R.
	1J7-12169-N1-00	PAD, adjusting (2.95)	8	U.R.
	1J7-12169-R1-00	PAD, adjusting (3.00)	8	U.R.
	1J7-12169-T1-00	PAD, adjusting (3.05)	8	U.R.
	1J7-12169-U1-00	PAD, adjusting (3.10)	8	U.R.
	1J7-12169-V1-00	PAD, adjusting (3.15)	8	U.R.
	1J7-12169-W1-00	PAD, adjusting (3.20)	8	U.R.
10	4H7-12153-01-00	LIFTER, valve	8	

Valve Clearance (Cold) Intake / Exhaust	0.11 ~ 0.15mm / 0.21 ~ 0.25mm
---	-------------------------------

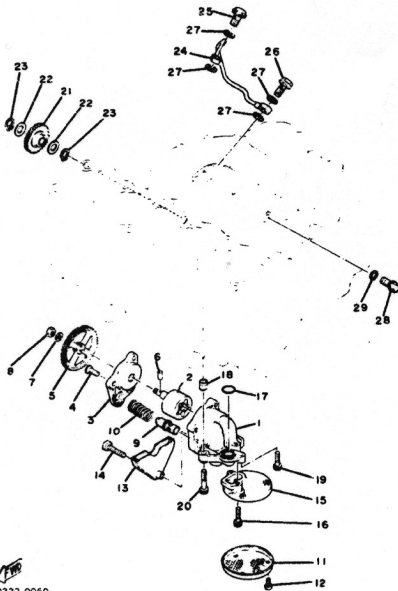
# OIL PUMP



Ref. No.	Part Number	Description	Qty.	Remarks
1	2H7-13326-00-00	HOUSING, rotor	1	
2	2H7-13330-00-00	PUMP SHAFT ASS'Y	1	
3	2H7-13316-00-00	COVER, pump	1	
4	90149-06126-00	SCREW	3	
5	2H7-13325-00-00	GEAR, pump driven (52T)	1	
6	93603-12007-00	PIN, dowel	1	
7	92903-06100-00	WASHER, spring (92901-06100)	1	
8	95303-06600-00	NUT	1	
9	2H7-13483-00-00	PLUNGER, relief	1	
10	90501-18499-00	SPRING, compression	1	
11	2F3-13411-00-00	STRAINER, oil (1J7-13411-01)	1	
12	98503-05012-00	SCREW, pan head (98501-05012)	3	
13	2H7-13327-00-00	COVER, pump gear	1	
14	91316-06035-00	BOLT	1	
15	2H7-13412-00-00	HOUSING, strainer	1	

3X0332-0060

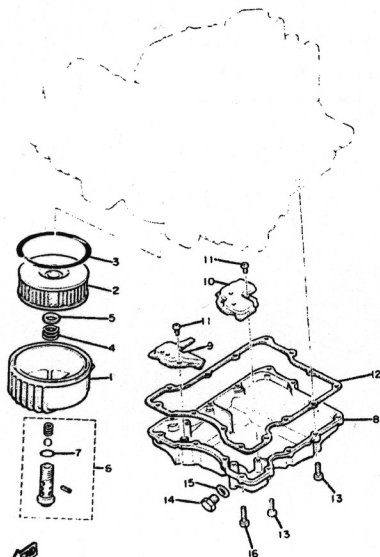
# OIL PUMP



3K0332-0060

Ref. No.	Part Number	Description	Qty.	Remarks
16	91316-06025-00	BOLT .....	2	
17	93210-i8319-00	O-RING .....	1	
18	91810-03014-00	PIN, dowel .....	2	
19	91311-06025-00	BOLT .....	1	
20	91311-06035-00	BOLT .....	2	
21	2H7-13341-00-00	GEAR, oil pump idle (37T) .....	1	
22	90201-12471-00	WASHER, plate .....	2	
23	93410-12003-00	CIRCLIP .....	2	
24	2H7-13161-00-00	PIPE, delivery 1 .....	1	
25	90401-10013-00	BOLT, union .....	1	
26	90401-10004-00	BOLT, union .....	1	
27	90430-10027-00	GASKET .....	4	
28	90401-10051-00	BOLT, union .....	1	
29	90430-10027-00	GASKET .....	1	

# OIL CLEANER

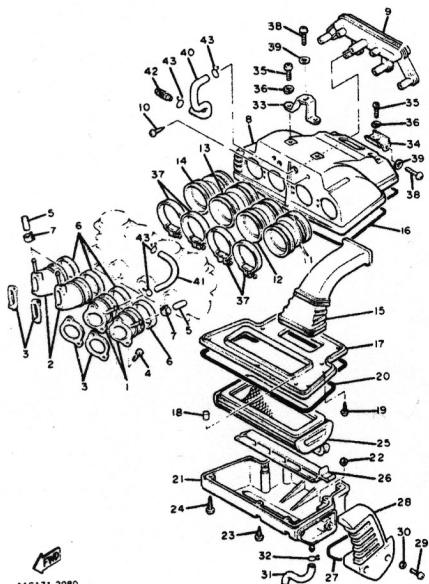


11G171-2070

Ref. No.	Part Number	Description	Qty.	Remarks
1	2H7-13447-00-00	COVER, oil element .....	1	
2	1J7-13440-91-00	ELEMENT ASS'Y, oil cleaner ...	1	
3	93211-17317-00	O-RING .....	1	
4	90501-18433-00	SPRING, compression .....	1	
5	90201-21608-00	WASHER, plate .....	1	
6	2H7-13340-00-00	BY-PASS VALVE ASS'Y .....	1	
7	93210-16314-00	O-RING .....	1	
8	10M-13417-00-00	COVER, strainer .....	1	
9	2H7-13317-00-00	PLATE, baffle .....	1	
10	2H7-13337-00-00	PLATE, baffle lower .....	1	
11	92503-06012-00	SCREW, pan head (92501-06012)	4	
12	2H7-13414-00-00	GASKET, strainer cover .....	1	
13	91311-08025-00	BOLT .....	10	
14	90340-14009-00	PLUG, straight screw .....	1	
15	214-11198-01-00	GASKET .....	1	
16	91311-06035-00	BOLT .....	4	

\*Indicates new part numbers activated from March, 1981.

# INTAKE



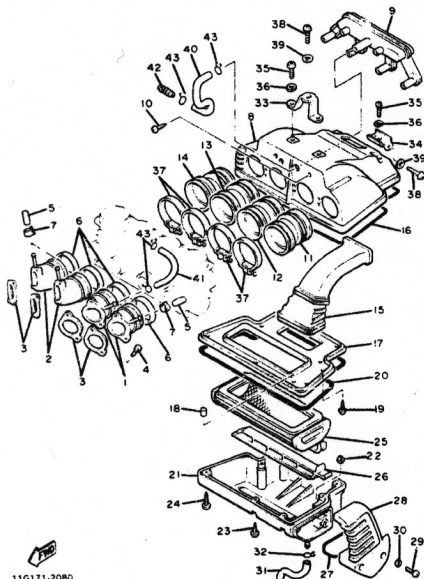
11G171-2080

Ref. No.	Part Number	Description	Qty.	Remarks
1	2H7-13586-00-00	JOINT, carburetor 1	2	
2	2H7-13596-00-00	JOINT, carburetor 2	2	
* 3	10M-13556-00-00	GASKET, manifold	4	
4	91316-06020-00	BOLT	8	
5	1J7-13589-00-00	PLUG, blind	3	
6	90460-54085-00	CLAMP, hose	4	
7	90467-10039-00	CLIP	3	
* 8	10M-14411-00-00	CASE, air cleaner 1	1	
* 9	10M-14434-01-00	SEPARATOR, oil	1	
*10	97701-50512-00	SCREW, tapping	2	
*11	10M-14453-01-00	JOINT, air cleaner 1	1	
*12	10M-14463-01-00	JOINT, air cleaner 2	1	
*13	10M-14454-01-00	JOINT	1	
*14	10M-14485-01-00	PIPE, joint	1	
*15	10M-14437-00-00	DUCT	1	
*16	10M-14467-00-00	SEAL	1	
*17	10M-1441F-00-00	PARTITION, air cleaner case	1	
18	5H0-14462-00-00	SEAL	1	
19	97702-40510-00	SCREW, tapping	2	
*20	10M-14467-00-00	SEAL	1	
*21	10M-14421-00-00	CASE, air cleaner 2	1	
*22	95702-05100-00	NUT, flange	2	

\*Indicates new part numbers activated from March, 1961.



# INTAKE

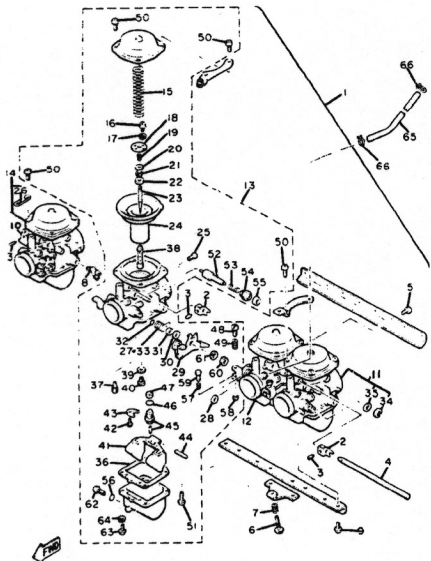


11G171-2080

Ref. No.	Part Number	Description	Qty.	Remarks
*23	97701-60530-00	SCREW, tapping	6	
*24	97701-60545-00	SCREW, tapping	1	
*25	10M-14451-00-00	ELEMENT, air cleaner	1	
*26	10M-14468-00-00	PLATE, element fitting	1	
*27	10M-14452-00-00	SEAL	1	
*28	10M-14422-00-00	CAP, cleaner case 2	1	
29	98506-05025-00	SCREW, pan head	2	
30	92906-05600-00	WASHER, plate	2	
31	90445-11182-00	HOSE	1	
32	90467-09006-00	CLIP	1	
*33	10M-14498-00-00	STAY 1	1	
*34	10M-14499-00-00	STAY 2	1	
35	92503-06015-00	SCREW, pan head (92502-06016)	3	
36	92903-06100-00	WASHER, spring (92902-06100)	3	
37	90460-58124-00	CLAMP, hose	4	
38	97301-06016-00	BOLT	2	
39	92901-06600-00	WASHER (92902-06600)	2	
40	2H7-11166-00-00	PIPE, breather 1	1	
*41	10M-11167-00-00	PIPE, breather 2	1	
*42	15A-11166-00-00	PIPE, breather 1	1	
43	90467-14015-00	CLIP	4	

\*Indicates new part numbers activated from March, 1981.

# CARBURETOR



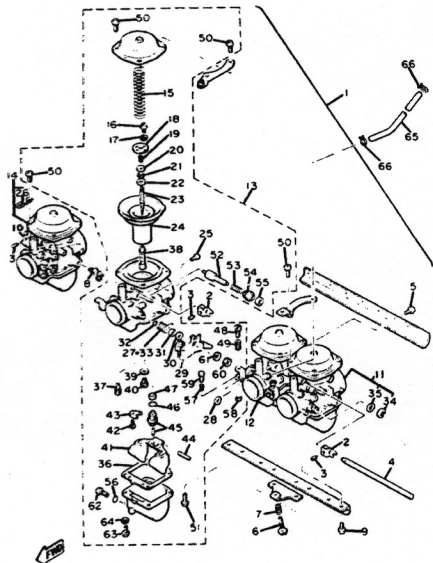
11G171-20-91

Ref. No.	Part Number	Description	Qty.	Remarks
1	(10M-14900-00)	CARBURETOR ASS'Y. ....	1	N/A
2	3F7-14905-00-00	LEVER, starter .....	4	
3	2H7-14991-00-00	SCREW .....	5	
4	10M-14978-00-00	SHAFT, starter lever .....	1	
5	97801-05010-00	SCREW, pan head .....	8	
6	3F7-14122-00-00	SCREW, throttle .....	1	
7	3F7-14934-00-00	SPRING, throttle stop .....	1	
8	3H3-14988-00-00	NIPPLE .....	2	
9	97801-06014-00	SCREW, pan head .....	8	
*10	10M-14975-00-00	LEVER, starter 1 .....	1	
*11	10M-14901-00-00	CARBURETOR ASS'Y 1 .....	1	
*12	10M-14902-00-00	CARBURETOR ASS'Y 2 .....	1	
*13	10M-14903-00-00	CARBURETOR ASS'Y 3 .....	1	
*14	10M-14904-00-00	CARBURETOR ASS'Y 4 .....	1	
15	3H5-14933-00-00	SPRING, diaphragm .....	4	
16	97602-03108-00	SCREW, pan head with washer	8	
17	92901-03100-00	WASHER, spring .....	8	
18	3F7-14936-00-00	SEAT, spring .....	4	
19	3F7-14589-00-00	SPRING .....	4	
20	3F7-14952-00-00	WASHER .....	4	
21	256-14919-00-00	CLIP .....	4	
22	3F7-14918-00-00	RING .....	4	

\*Indicates new part numbers activated from March, 1981.

CARBURETOR - Mfr. / Type / I.D. Number	Mikuni / 8534 / 10M-00
Main Jet / Pilot Jet	112.5 / 47.5
Needle Jet / Jet Needle-Clip Position	X-2 / 9GLZ-34 Fixed
Slide Cutaway or Throttle Valve	135
Float Level / Fuel Level	NA / 3.0 ± mm
Idle rpm	1100 rpm
Max CO <sup>2</sup> / Max HC <sup>1</sup> / Set CO	6.0% / 800 ppm / 3.0% (All Settings @ Idle)

# CARBURETOR



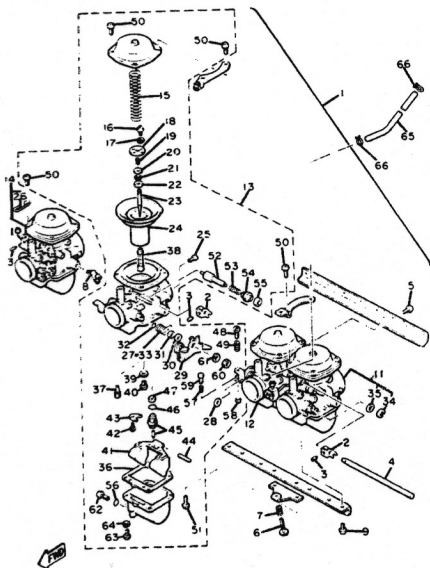
11G171 2091

Ref. No.	Part Number	Description	Qty.	Remarks
*23	452-14116-34-00	NEEDLE	4	
24	3H5-14940-00-00	DIAPHRAGM ASS'Y	4	
25	256-14944-34-00	JET, main (#170.0)	4	
*26	10M-14139-00-00	CLIP, pipe	1	
27	2H9-14931-00-00	SPRING, throttle lever	2	
28	2H7-14952-00-00	WASHER	3	
29	3H5-14913-00-00	LEVER, throttle	1	
30	306-14970-00-00	COLLAR	1	
31	2H7-14918-00-00	RING	1	
32	256-14997-00-00	SEAL	8	
33	2H7-14931-00-00	SPRING, throttle lever	1	
34	812-14137-00-00	CLIP	2	
35	1A8-14953-00-00	WASHER	4	
36	3F7-14984-00-00	GASKET, float chamber	4	
37	4G0-14142-47-00	JET, pilot (#47.5)	4	
38	3H5-14941-02-00	NOZZLE, main	4	
39	137-14153-00-00	WASHER, main jet	4	
*40	620-14231-73-00	JET, main (#365.0)	4	
41	3H5-14985-00-00	FLOAT	4	
42	98501-04005-00	SCREW, pan head (98502-04006)	4	
43	2H0-14146-00-00	PLATE	4	
44	537-14186-00-00	PIN, float	4	

\*Indicates new part numbers activated from March, 1981.

CARBURETOR - Mfr. / Type / I.D. Number	Mikuni / 8534 / 10M-00
Main Jet / Pilot Jet	112.5 / 47.5
Needle Jet / Jet Needle-Clip Position	X-2 / 5GLZ-36 Fixed
Slide Cutaway or Throttle Valve	135
Float Level / Fuel Level	NA / 3.0 ± 1mm
Idle rpm	1100 rpm
Max CO* / Max HC* / Sel CO	6.0% / 800 ppm / 3.0% (All Settings @ Idle)

# CARBURETOR

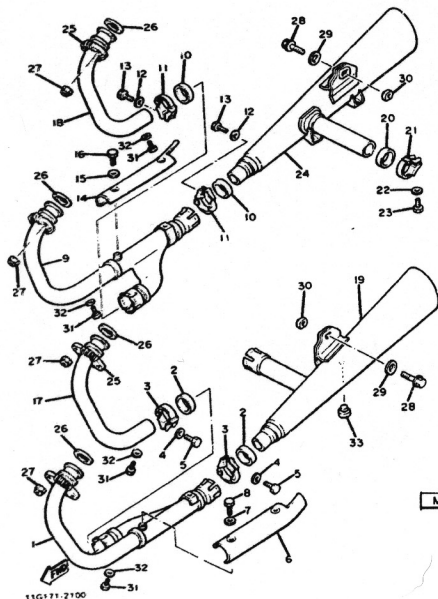


11G11 2091

Ref. No.	Part Number	Description	Qty.	Remarks
45	3L1-14190-20-00	NEEDLE VALVE ASS'Y	4	
46	8F2-14147-00-00	O-RING	4	
47	1J7-14994-00-00	NET, filter	4	
48	3F7-14922-00-00	SCREW, throttle	3	
49	3F7-14133-00-00	SPRING, throttle stop	3	
50	97801-05010-00	SCREW, pan head	16	
51	98302-05006-00	SCREW, cylinder head	4	
52	3F7-14171-00-00	PLUNGER, starter	4	
53	3F7-14135-00-00	SPRING, plunger	4	
54	3F7-14174-00-00	CAP, plunger	4	
55	3F7-14173-00-00	COVER, plunger cap	4	
56	214-14147-00-00	O-RING	4	
57	584-14934-00-00	SPRING, throttle stop	3	
58	2H7-14937-00-00	CLIP	4	
59	2H7-14922-00-00	ROD	3	
60	812-14594-00-00	NUT	2	
61	92903-08100-00	WASHER, spring (92301-03100)	2	
62	2L1-14191-00-00	PLUG, drain	4	
63	98501-05016-00	SCREW, pan head	16	
64	92903-05100-00	WASHER, spring (92901-05100)	16	
65	90445-08427-00	HOSE	1	
66	90467-07029-00	CLIP	2	

CARBURETOR - Mfr. / Type / Lb. Number	Mikuni / BS34 / 10M-00
Main Jet / Pilot Jet	112.5 / 47.8
Needle Jet / Jet Needle-Clip Position	X-2 / 5GLZ-34 Fixed
Slide Cutaway or Throttle Valve	135
Float Level / Fuel Level	NA / 3.0 ± 1mm
Idle rpm	1100 rpm
Max CO* / Max HC* / Set CO	6.0% / 800 ppm / 3.0% (All Settings @ Idle)

# EXHAUST



Ref. No.	Part Number	Description	Qty.	Remarks
* 1	10M-14615-00-00	JOINT, exhaust 1	1	
2	1L9-14714-01-00	GASKET, muffler	2	
3	2H9-14715-00-00	BAND, muffler	2	
4	92901-08600-00	WASHER, plate	2	
5	97311-08025-00	BOLT	2	
* 6	10M-14718-00-00	PROTECTOR, muffler 1	1	
7	90201-06052-00	WASHER, plate	2	
8	97323-06008-00	BOLT	2	
* 9	10M-14825-00-00	JOINT, exhaust 2	1	
10	1L9-14714-01-00	GASKET, muffler	2	
11	2H9-14725-00-00	BAND, muffler	2	
12	92901-08600-00	WASHER, plate	2	
13	97311-08025-00	BOLT	2	
*14	10M-14728-00-00	PROTECTOR, muffler 2	1	
15	90201-06052-00	WASHER, plate	2	
16	97323-06008-00	BOLT	2	

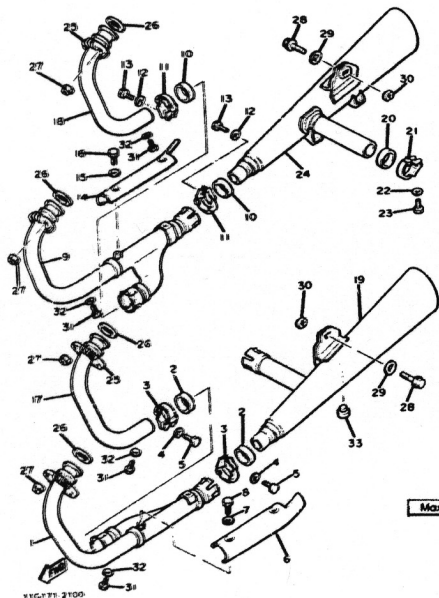
\*Indicates new part numbers activated from March, 1981.

Max CO<sub>2</sub> / Max HC<sub>2</sub> / Set CO

6.0% / 870 ppm / 3.0% (All Settings @ Idle)

"These replacement parts comply with all Florida laws and regulations requiring testing and certification of exhaust system replacement parts."

# EXHAUST



Ref. No.	Part Number	Description	Qty.	Remark
17	2H7-14621-02-00	PIPE, exhaust 2	1	
18	2H7-14631-02-00	PIPE, exhaust 3	1	
*19	10M-14711-01-00	MUFFLER 1	1	
20	1L9-14714-01-00	GASKET, muffler	1	
21	2H9-14715-00-00	BAND, muffler	1	
22	92901-08600-00	WASHER, plate	1	
23	97311-08025-00	BOLT	1	
*24	10M-14721-01-00	MUFFLER 2	1	
25	2H7-14612-00-00	NUT, ring	2	
26	341-14613-00-00	GASKET, exhaust pipe	4	
27	90179-08273-00	NUT	8	
28	95801-10040-00	BOLT, flange	2	
29	90201-10669-00	WASHER, plate	2	
30	90179-10276-00	NUT	2	
31	97313-06012-00	BOLT (97311-06012)	4	
32	92901-06600-00	WASHER, plate	4	
33	1A0-27114-00-00	STOPPER, main stand	1	

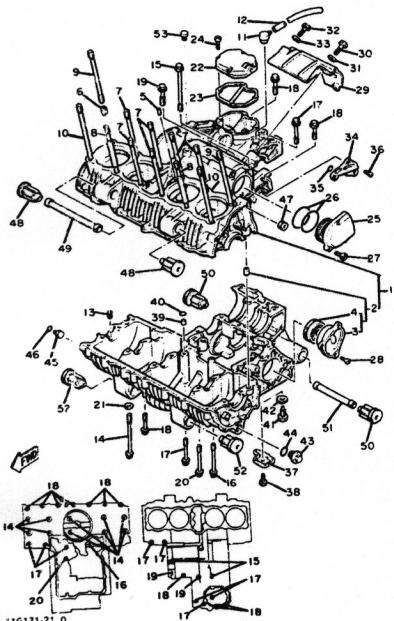
\*Indicates new part numbers activated from March, 1981.

Max CO<sup>2</sup> / Max HC\* / Sel CO

6.0% / 800 ppm / 3.0% (All Settings @ Idle)

"These replacement parts comply with all Florida laws and regulations requiring testing and certification of exhaust system replacement parts."

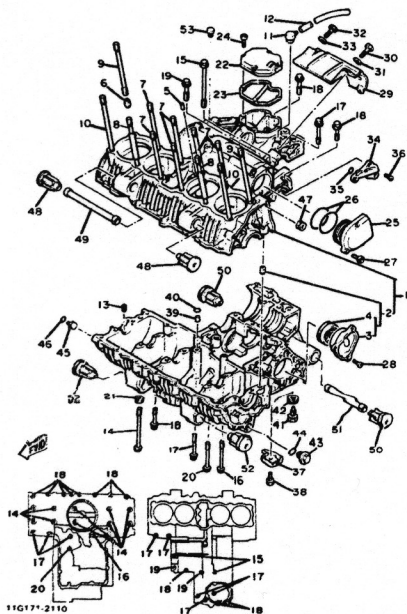
# CRANKCASE



Ref. No.	Part Number	Description	Qty.	Remarks
1	2H7-15100-02-00	CRANKCASE ASS'Y	1	
2	91830-22018-00	PIN, dowel	2	
3	2H7-W1516-00-10	BEARING HOUSING COMP. 2	1	U.R. marked A
	2H7-W1516-00-20	BEARING HOUSING COMP. 2	1	U.R. marked B
4	93304-20605-00	BEARING (B4205)	1	
5	93605-14143-00	PIN, dowel	2	
6	91830-24018-00	PIN, dowel	2	
7	90116-10273-00	BOLT, stud	6	
8	2F3-11363-00-00	BOLT, cylinder holding 3	2	
9	90116-10275-00	BOLT, stud	2	
10	90116-10274-00	BOLT, stud	2	
11	2H7-17591-01-00	BREATHER	1	
12	90445-07039-00	HOSE	1	
13	2H7-15138-00-00	NOZZLE 1	3	
14	90105-08114-00	BOLT, washer based	10	
15	95811-08125-00	BOLT, flange	2	
16	95811-06085-00	BOLT, flange	1	
17	95811-06065-00	BOLT, flange	8	
18	95811-06045-00	BOLT, flange	11	
19	95811-08045-00	BOLT, flange	2	
20	95811-08075-00	BOLT, flange	1	
21	90201-08366-00	WASHER, plate	8	
22	2H7-11168-00-00	COVER, breather	1	
23	2H7-11169-00-00	GASKET, breather cover	1	
24	91311-06025-00	BOLT	4	
25	2H7-15163-00-00	HOUSING, bearing 1	1	
26	93210-61362-00	O-RING	2	

Drain Plug	14 x 1.5: 4.25 m-tg
Oiling System	Wet Sump
Capacity: Dry	4000cc
Oil and Filter Change	3500cc
Oil Change	3000cc
Lubricant: temp. Above 8°C (40°F)	Yamalube 4" or SAE 20W40 SE
temp. Below 15°C (60°F)	SAE 10W30 SE

# CRANKCASE



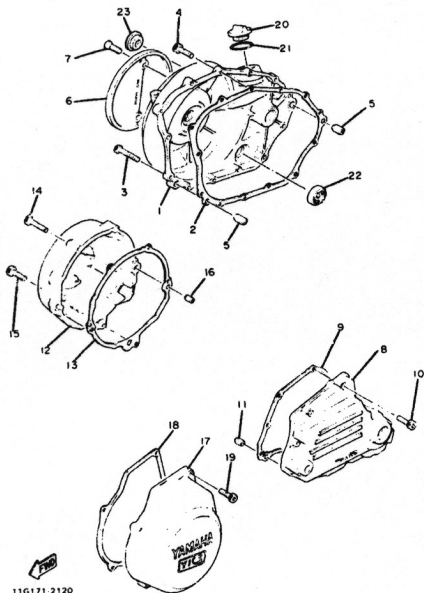
Ref. No.	Part Number	Description	Qty.	Remarks
27	91311-06025-00	BOLT .....	3	
28	90149-06126-00	SCREW .....	3	
*29	10M-15436-00-00	COVER, starting motor .....	1	
30	97321-06030-00	BOLT .....	2	
31	92901-06600-00	WASHER, plate .....	2	
32	97321-06020-00	BOLT .....	1	
33	92901-06600-00	WASHER, plate .....	1	
34	2H7-15148-00-00	NOZZLE 2 .....	1	
35	93210-09350-00	O-RING .....	1	
36	90149-06126-00	SCREW .....	3	
37	2H7-15155-00-00	NOZZLE 3 .....	1	
38	97301-06016-00	BOLT .....	1	
39	91810-03014-00	PIN, dowel .....	1	
40	93210-09350-00	O-RING .....	1	
41	90340-14042-00	PLUG, straight screw .....	1	
42	214-11198-01-00	GASKET .....	1	
43	90340-10050-00	PLUG, straight screw .....	1	
44	93210-18319-00	O-RING .....	1	
45	90338-13084-00	PLUG .....	1	
46	93210-13361-00	O-RING .....	1	
47	90480-12J12-00	GROMMET .....	1	
48	2H7-15316-01-00	DAMPER, engine mount 1 .....	2	
49	2H7-15317-00-00	SPACER, engine mount .....	1	
50	2H7-15328-01-00	DAMPER, engine mount 2 .....	2	
51	2H7-15327-00-00	SPACER, engine mount .....	1	
52	2H7-15336-00-00	DAMPER, engine mount 3 .....	2	
*53	90345-51009-00	PLUG .....	1	

\*Indicates new part numbers activated from March, 1981.

Drain Plug	14 x 1.5: 4.25 m-kg
Oiling System	Wet Sump
Capacity: Dry	4000cc
Oil and Filter Change	3500cc
Oil Change	3000cc
Lubricant: Temp. Above 5°C (40°F)	Yamalube 4" or SAE 20W40 SE
Temp. Below 15°C (60°F)	SAE 10W30 SE



# CRANKCASE COVER

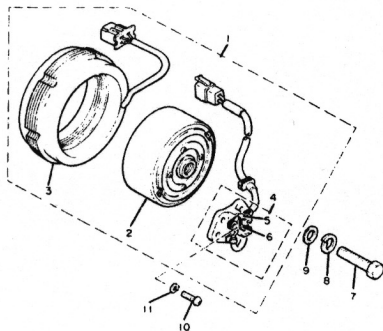


Ref. No.	Part Number	Description	Qty.	Remarks
1	2H7-15431-00-00	COVER, crankcase 3	1	
2	2H7-15451-00-00	GASKET, crankcase cover	1	
3	91311-06035-00	BOLT	3	
4	91311-08025-00	BOLT	10	
5	91810-18016-C0	PIN, dowel	2	
6	2H7-15417-00-00	COVER, clutch	1	
7	92603 06018-00	SCREW, oval head	2	
8	2H7-15411-00-00	COVER, crankcase 1	1	
9	2H7-15461-00-00	GASKET, crankcase cover 2	1	
10	91311-08025-00	BOLT	9	
11	91810-18016-00	PIN, dowel	2	
*12	10M-15415-01-00	COVER, generator	1	
13	2H7-15455-00-00	GASKET, generator cover	1	
14	91311-06035-00	BOLT	3	
15	91311-06025-00	BOLT	2	
16	91810-18018-00	PIN, dowel	2	
17	10M-15416-00-00	COVER, oil pump	1	
18	2H7-15456-00-00	GASKET, breaker cover	1	
19	91311-06025-00	BOLT	4	
20	2H7-15363-00-00	PLUG, oil	1	
21	93210-27370-00	O-RING	1	
22	2H7-15361-00-00	GAUGE, level	1	
23	90338-30096-00	PLUG	1	

\*In llicates new part numbers activated from March, 1981.

11G/71 2120

# A.C. GENERATOR



Ref. No.	Part Number	Description	Qty.	Remarks
* 1	10M-81800-11-00	A.C. GENERATOR ASS'Y.....	1	
* 2	10M-81650-10-00	ROTOR ASS'Y .....	1	
* 3	10M-81610-11-00	STATOR ASS'Y.....	1	
* 4	10M-81619-10-00	BRUSH HOLDER ASS'Y.....	1	
5	4G0-81611-10-00	BRUSH 1 .....	1	
6	4G0-81612-10-00	BRUSH 2 .....	1	
7	90101-10188-00	BOLT.....	1	
8	92903-10100-00	WASHER, spring (92901-10100)	1	
9	90201-10508-00	WASHER, plate.....	1	
10	92503-06012-00	SCREW, pan head (92501-06012)	2	
11	92903-06100-00	WASHER, spring (92902-06100)	2	

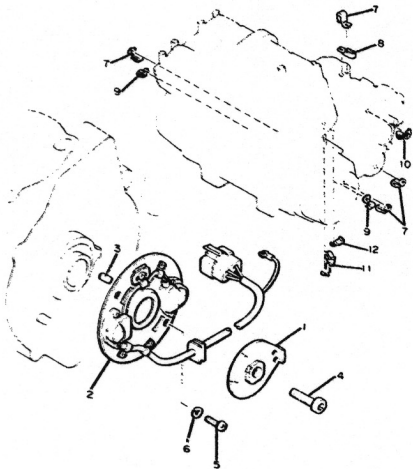
\*Indicates new part numbers activated from March, 1981.



1G171-2130

CHARGING SYSTEM	
Battery: Model / Specific Gravity / Charge Rate	AC Generator / 3-Phase / Full Wave GS GM16Z-3A (12V 20AH) / 1.28 / 2.0A
Maximum Output	14V 26A @ 5000 rpm
TROUBLESHOOTING	
Field Coil Color Code / Ω	Rotor:Gm~Blk/4.00 ± 10% Stator:Whi~Whi/0.370 ± 10%
Charge Coil Color Code / Ω	#

# PICKUP COIL - GOVERNOR



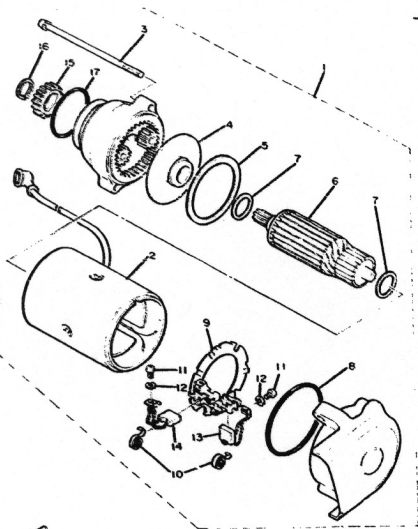
Ref. No.	Part Number	Description	Qty.	Remarks
* 1	10M-81873-10-00	ROTOR .....	1	
* 2	10M-81671-10-00	BASE, pickup.....	1	
3	93604-08071-00	PIN, dowel .....	1	
4	91316-08045-00	BOLT .....	1	
5	92503-06012-00	SCREW, pan head (92501-06012)	2	
6	92903-06100-00	WASHER, spring (92902-06100)	2	
7	90465-08127-00	CLAMP .....	4	
8	90465-10164-00	CLAMP .....	1	
9	90465-08122-00	CLAMP .....	2	
10	90465-10137-00	CLAMP .....	1	
11	90465-08135-00	CLAMP .....	1	
12	90465-08136-00	CLAMP .....	1	

\*Indicates new part numbers activated from March, 1981.



11G171 2140

# STARTING MOTOR



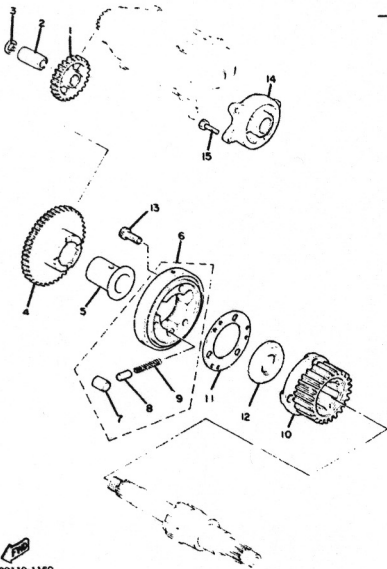
Ref. No.	Part Number	Description	Qty.	Remarks
1	4R0-81800-60-00	STARTING MOTOR ASS'Y	1	
2	2H7-81810-60-00	STATOR ASS'Y	1	
3	371-81826-20-00	BOLT	2	
4	371-81845-20-00	PLATE	1	
5	371-81844-20-00	GASKET	1	
6	2H7-81850-60-00	ROTOR COMP.	1	
7	371-81809-20-00	WASHER KIT	1	
8	371-81847-20-00	O-RING	1	
9	371-81840-20-00	BRUSH HOLDER ASS'Y	1	
10	371-81813-20-00	SPRING, brush	2	
11	98501-03008-00	SCREW, pan head	2	
*12	92903-03100-00	WASHER, spring	2	
13	371-81811-20-00	BRUSH 1	1	
14	371-81812-20-00	BRUSH 2	1	
15	1J7-15511-00-00	GEAR, starting motor (13T)	1	
16	93410-12003-00	CIRCLIP	1	
17	1J7-81847-60-00	O-RING	1	

\*Indicates new part numbers activated from March, 1981.

4R0110 0150

63

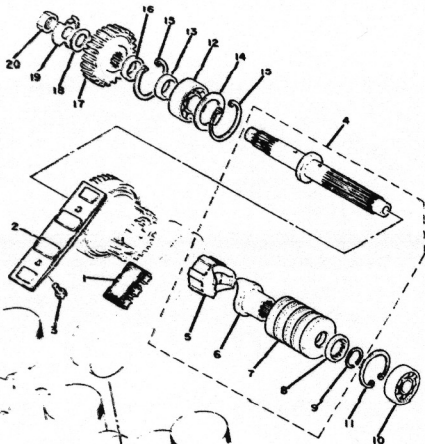
# STARTER CLUTCH



Ref. No.	Part Number	Description	Qty.	Remarks
1	2H7-15512-00-00	GEAR, idler 1 (28T).....	1	
2	2H7-15521-00-00	SHAFT 1.....	1	
3	93420-17046-00	CIRCLIP.....	1	
4	2H7-15517-00-00	GEAR, idler 2 (47T).....	1	
5	90560-25174-00	SPACER.....	1	
6	2H7-15580-01-00	STARTER CLUTCH OUTER ASS'Y	1	
7	93615-17125-00	PIN, dowel.....	3	
8	1J7-15583-01-00	CAP, starter clutch spring....	3	
9	90501-04503-00	SPRING, compression.....	3	
10	2H7-11537-00-00	GEAR, driven (25T).....	1	
11	2H7-15589-00-00	PLATE, clutch cover.....	1	
12	90209-25169-00	WASHER.....	1	
13	91316-08018-00	BOLT.....	3	
14	2H7-15654-00-00	HOLDER, kick gear.....	1	
15	97301-06020-00	BOLT.....	3	

C4

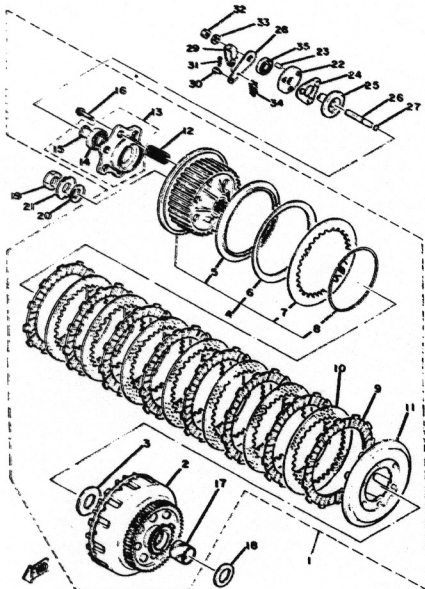
# PRIMARY SHAFT - CHAIN



Ref. No.	Part Number	Description	Qty.	Remarks
1	2H7-16139-02-00	CHAIN, primary.....	1	
2	2H7-11474-00-00	GUIDE, upper.....	1	
3	97301-06016-00	BOLT.....	2	
4	2H7-16308-00-00	CLUTCH DAMPER ASS'Y.....	1	
5	2H7-16317-00-00	. CAM, damper 1.....	1	
6	2H7-16315-00-00	. CAM, damper 2.....	1	
7	2H7-16318-00-00	. SPRING, damper.....	1	
8	2H7-11485-00-00	. SPACER.....	1	
9	93440-25020-00	. CIRCLIP.....	1	
10	93306-20432-00	BEARING.....	1	
11	93420-47010-00	CIRCLIP.....	1	
12	93306-20533-00	BEARING.....	1	
13	90387-443A8-00	COLLAR.....	1	
14	90201-36687-00	WASHER, plate.....	1	
15	93420-52014-00	CIRCLIP.....	2	
16	90387-253A7-00	COLLAR.....	1	
17	2H7-16111-01-00	GEAR, primary drive (35T).....	1	
18	90208-18025-00	WASHER, conical spring.....	1	
19	90215-19139-00	WASHER, lock.....	1	
20	90170-18221-00	NUT.....	1	

C5

# CLUTCH



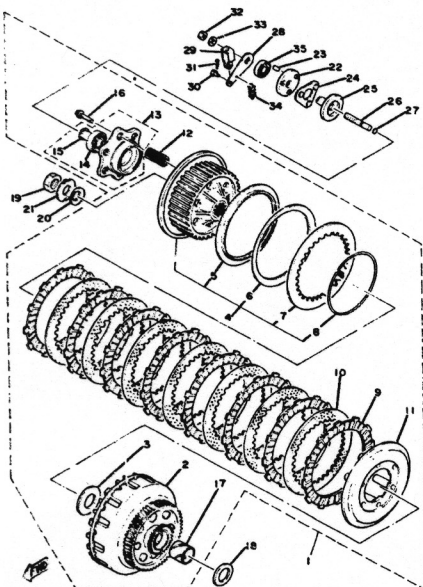
3x0332-0190

Ref. No.	Part Number	Description	Qty.	Remarks
1	2H7-16301-01-00	CLUTCH ASS'Y.....	1	
2	2H7-16150-01-10	PRI. DRIVEN GEAR COMP. (34/58T).....	1	U.R. Type 1
	2H7-16150-01-20	PRI. DRIVEN GEAR COMP. (34/58T).....	1	U.R. Type 2
3	170-16164-00-00	PLATE, thrust 2.....	1	
4	2H7-16370-00-00	CLUTCH BOSS ASS'Y.....	1	
5	2H7-16384-00-00	PLATE, seat.....	1	
6	2H7-16383-00-00	SPRING, clutch boss.....	1	
7	2H7-16324-00-00	PLATE, clutch 1.....	1	
8	2H7-16385-00-00	RING, clutch boss.....	1	
9	341-16321-13-00	PLATE, friction.....	8	
10	2H7-16325-00-00	PLATE, clutch 2.....	7	
11	2H7-16352-00-00	PLATE, pressure 2.....	1	
12	90501-23142-00	SPRING, compression.....	6	
13	2H7-W1635-00-00	PRESSURE PLATE COMP. 1... 1	1	
14	93306-00304-00	BEARING (B6003C4).....	1	
15	2H7-16386-00-00	PIECE, clutch push.....	1	
16	95821-06025-00	BOLT, flange.....	6	
17	2H7-16181-00-10	SPACER 1.....	1	U.R. Type 1
	2H7-16181-00-20	SPACER 1.....	1	U.R. Type 2
18	360-16154-00-00	PLATE, thrust 1.....	1	

Clutch Nut	18 x 1.0; 7.0 m-kg
Clutch Friction Plate Thickness Std ~ Min	3.0 ~ 2.8mm
Clutch Spring Length Std ~ Min	42.8 ~ 41.8mm

C6

# CLUTCH

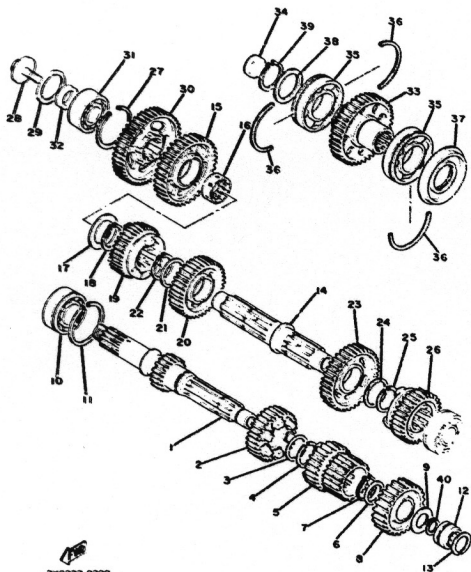


Ref. No.	Part Number	Description	Qty.	Remarks
19	90170-18221-00	NUT.....	1	
20	90208-18025-00	WASHER, conical spring.....	1	
21	90215-19139-00	WASHER, lock.....	1	
22	2H7-16396-00-00	HOUSING, push screw.....	1	
23	93606-07082-00	PIN, dowel.....	1	
24	2H7-16395-01-00	RETAINER, ball.....	1	
25	2H7-16341-00-00	SCREW, push.....	1	
26	2H7-16343-00-00	SCREW, adjusting.....	1	
27	93210-48364-00	O-RING.....	1	
28	2H7-16342-00-00	LEVER, push.....	1	
29	1J7-16389-00-00	JOINT.....	1	
30	90240-06005-00	PIN, clevis.....	1	
31	91401-10010-00	PIN, cotter.....	1	
32	95301-08700-00	NUT.....	1	
33	92903-08200-00	WASHER, plain (92901-08200)	1	
34	90506-10069-00	SPRING, tension.....	1	
35	93104-14059-00	OIL SEAL.....	1	

Clutch Nut	18 x 1.0: 7.0 m·kg
Clutch Friction Plate Thickness Std ~ Min	3.0 ~ 2.8mm
Clutch Spring Length Std ~ Min	42.8 ~ 41.8mm



# TRANSMISSION



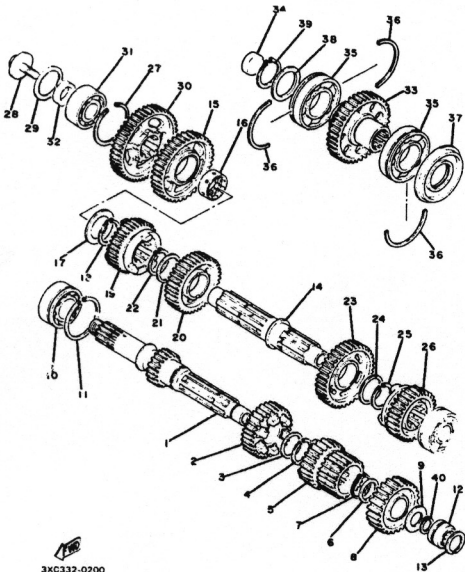
3XC332-0200

C8

Ref. No.	Part Number	Description	Qty.	Remarks
1	2H7-17401-00-00	MAIN AXLE COMP. (17T) . . . . .	1	
2	2H7-17141-01-00	GEAR, 4th pinion (31T) . . . . .	1	
3	90201-28665-00	WASHER, plate . . . . .	1	
4	93440-28062-00	CIRCLIP . . . . .	1	
5	2H7-17121-00-00	GEAR, 2nd/3rd pinion (24/38T) . . . . .	1	
6	90201-25287-00	WASHER, plate . . . . .	1	
7	93410-25017-00	CIRCLIP . . . . .	1	
8	2H7-17151-00-00	GEAR, 5th pinion (34T) . . . . .	1	
9	2H7-17417-00-00	SHIM . . . . .	1	
10	93305-20506-00	BEARING (B5205) . . . . .	1	
11	93440-52014-00	CIRCLIP . . . . .	1	
12	93311-52031-00	BEARING, cylindrical . . . . .	1	
13	93440-32063-00	CIRCLIP . . . . .	1	
14	2H7-17421-01-00	AXLE, drive . . . . .	1	
15	2H7-17211-00-00	GEAR, 1st wheel (38T) . . . . .	1	
16	2H7-17258-00-00	COLLAR 1 . . . . .	1	
17	90201-30666-00	WASHER, plate . . . . .	1	
18	93410-30012-00	CIRCLIP . . . . .	1	
19	2H7-17241-00-00	GEAR, 4th wheel (32T) . . . . .	1	
20	2H7-17231-01-00	GEAR, 3rd wheel (36T) . . . . .	1	

TRANSMISSION - Oil type/Qty Chg/Qty Reassemble	See ENGINE Above
Primary Drive Type / Teeth / Ratio	Spur Gear / 25-25 x 58-35 / 1.657
Secondary Drive Type / Teeth / Chain	Shaft / 44-47 x 19-18 x 33-10 / 3.261
Oiling System	Wet Sump
Capacity: Dry	4000cc
Oil and Filter Change	3500cc
Oil Change	3000cc
Lubricant: Temp. Above 5°C (40°F)	Yamalube 4" or SAE 20W40 DE

# TRANSMISSION

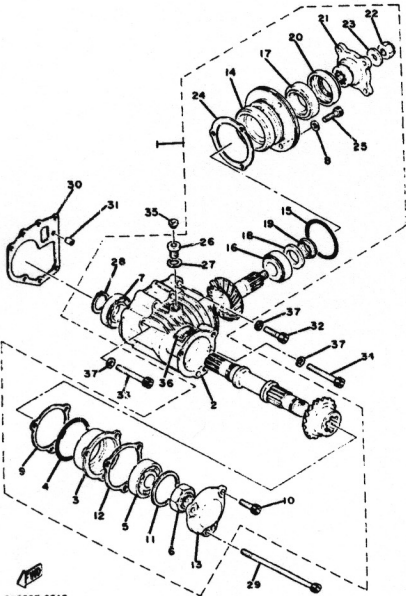


34C332-0200

Ref. No.	Part Number	Description	Qty.	Remarks
21	90201-30398-00	WASHER, plate	1	
22	93410-30012-00	CIRCLIP	1	
23	2H7-17221-01-00	GEAR, 2nd wheel (39T)	1	
24	90201-30398-00	WASHER, plate	1	
25	93440-30015-00	CIRCLIP	1	
26	2H7-17261-00-00	GEAR, 5th wheel (30T)	1	
27	93450-62010-00	CIRCLIP	1	
28	90105-10085-00	BOLT, washer based	1	
29	90201-252A4-00	WASHER, plate	1	
30	2H7-17582-00-00	GEAR, middle drive (47T)	1	
31	93306-20533-00	BEARING	1	
32	90387-443A8-00	COLLAR	1	
33	2H7-17583-00-00	GEAR, middle driven (44T)	1	
34	90331-27013-00	PLUG	1	
35	93306-20705-00	BEARING (B6207N)	2	
36	93440-72049-00	CIRCLIP	3	
37	93103-35105-00	OIL SEAL	1	
38	90201-35668-00	WASHER, plate	1	
39	93410-35027-00	CIRCLIP	1	
40	93410-20009-00	CIRCLIP	1	

TRANSMISSION - Oil Type/Qty Chg/Qty Reassemble	See ENGINE Above
Primary Drive Type / Teeth / Ratio	Spur Gear / 25-25 x 56-35 / 1.657
Secondary Drive Type / Teeth / Chain	Shaft / 44-47 x 19-18 x 33-10 / 3.261
Oiling System	Wet Sump
Capacity: Dry	4000cc
Oil and Filter Change	3500cc
Oil Change	3000cc
Lubricant: Temp. Above 5°C (40°F)	Yamalube 4" or SAE 20W40 SE
Temp. Below 15°C (60°F)	SAE 10W30 SE

# MIDDLE DRIVE GEAR

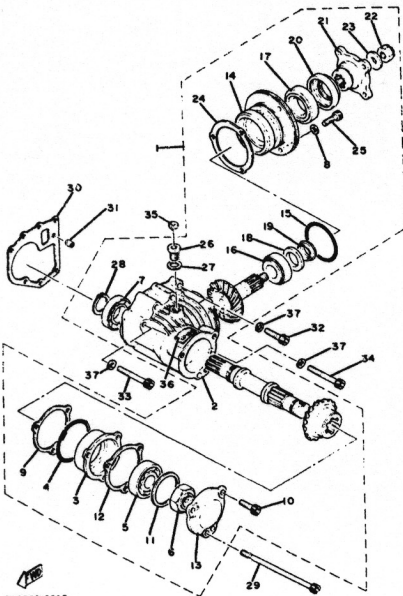


3X0337-0210

Ref. No.	Part Number	Description	Qty.	Remarks
1	2H7-17501-00-00	MIDDLE GEAR CASE ASS'Y. ....	1	
2	2H7-17511-00-00	HOUSING, middle gear.....	1	
3	2H7-17521-00-00	HOUSING, bearing.....	1	
4	93210-68347-00	O-RING .....	1	
5	93306-30520-00	BEARING (B6305RBI).....	1	
6	90179-24230-00	NUT .....	1	
7	93306-00608-00	BEARING (B6006).....	1	
8	90201-08675-00	WASHER, plate .....	3	
9	1J7-17531-Y0-10	SHIM, pinion (0.10T).....	1	U.R.
	1J7-17531-Y0-15	SHIM, pinion (0.15T).....	1	U.R.
	1J7-17531-Y0-30	SHIM, pinion (0.30T).....	1	U.R.
10	91311-08030-00	BOLT .....	3	
11	1J7-17537-Y0-15	SHIM, thrust (0.15T).....	1	U.R.
	1J7-17537-Y0-30	SHIM, thrust (0.30T).....	1	U.R.
	1J7-17537-Y0-40	SHIM, thrust (0.40T).....	1	U.R.
	1J7-17537-Y0-50	SHIM, thrust (0.50T).....	1	U.R.
12	1J7-17519-Y0-00	GASKET, housing cap.....	1	
13	2H7-17538-00-00	CAP, housing .....	1	
14	2H7-17551-00-00	HOUSING, bearing.....	1	
15	93210-71360-00	O-RING .....	1	
16	93332-00028-00	BEARING.....	1	
17	93332-00024-00	BEARING.....	1	
18	90201-25634-00	WASHER, plate .....	1	

Middle Gear Case Capacity	375cc
Primary Drive Type / Teeth / Ratio	Spur Gear / 25-26 x 59-35 / 1.657
Secondary Drive Type / Teeth / Chain	Chain / 44-47 x 19-18 x 33-10 / 3.261

# MIDDLE DRIVE GEAR



3X0332-0210

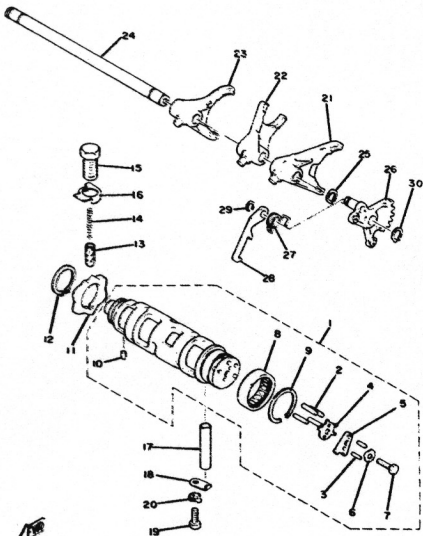
Ref. No.	Part Number	Description	Qty.	Remarks
*19	2H7-17571-01-00	SPACER, expansion.....	1	
20	93101-35085-00	OIL SEAL.....	1	
21	1J7-17555-Y0-00	FLANGE, middle gear.....	1	
22	90185-14070-00	NUT, self-locking.....	1	
23	90201-14633-00	WASHER, plate.....	1	
24	2H7-17531-00-10	SHIM, pinion (0.10T).....	1	U.R.
	2H7-17531-00-15	SHIM, pinion (0.15T).....	1	U.R.
	2H7-17531-00-30	SHIM, pinion (0.30T).....	1	U.R.
25	91311-08030-00	BOLT.....	3	
26	90340-14046-00	PLUG, straight screw.....	1	
27	214-11198-01-00	GASKET.....	1	
28	93410-30012-00	CIRCLIP.....	1	
29	90110-08021-00	BOLT, hexagon socket head....	1	
30	1J7-17518-00-00	GASKET, middle gear case.....	1	
31	91830-21014-00	PIN, dowel.....	1	
32	91311-08035-00	BOLT.....	1	
33	91311-08065-00	BOLT.....	3	
34	91311-08105-00	BOLT.....	2	
35	341-23469-00-00	CAP, bolt.....	1	
36	1J7-46181-11-00	LABEL, oil caution.....	1	
37	90201-08675-00	WASHER, plate.....	6	

\*Indicates new part numbers activated from March, 1981.

Primary Drive Type / Teeth / Ratio	Spur Gear / 25-25 x 59-26 / 1.657
Secondary Drive Type / Teeth / Chain	Shaft / 46-47 x 19-18 x 33-10 / 3.261
Middle Gear Case Capacity	375cc

C11

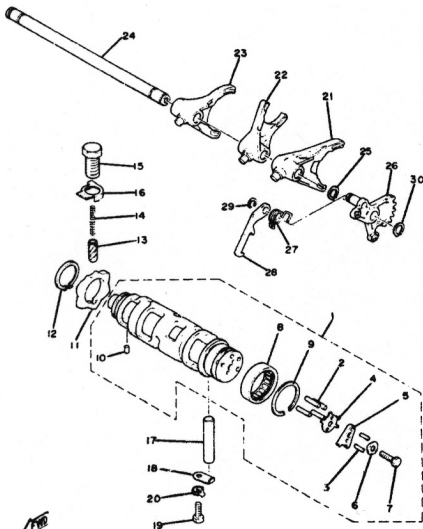
# SHIFT CAM - FORK



340332-0220

Ref. No.	Part Number	Description	Qty.	Remarks
1	2H7-18540-00-00	SHIFT CAM ASS'Y	1	
2	93604-18058-00	. PIN, dowel	4	
3	93603-10049-00	. PIN, dowel	2	
4	2H7-18561-00-00	. PLATE, side 1	1	
5	2H7-18566-00-00	. PLATE, side 2	1	
6	90215-05140-00	. WASHER, lock	1	
7	97318-05020-00	. BOLT	1	
8	93315-23612-00	. BEARING, cylindrical	1	
9	93440-34025-00	. CIRCLIP	1	
10	93604-08071-00	. PIN, dowel	1	
11	2J2-18141-00-00	PLATE, stopper	1	
12	93410-30012-00	CIRCLIP	1	
13	1J7-18547-00-00	STOPPER, cam	1	
14	90501-10196-00	SPRING, compression	1	
15	90149-14117-00	SCREW	1	

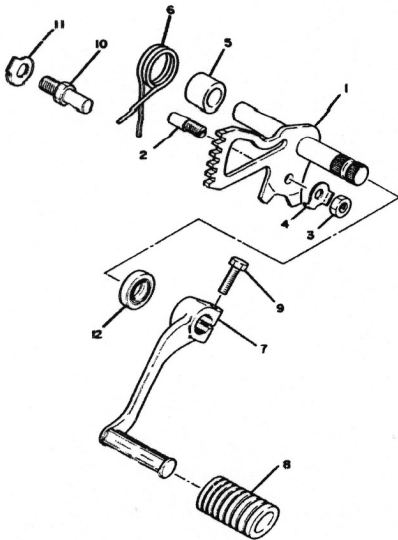
# SHIFT CAM - FORK



Ref. No.	Part Number	Description	Qty.	Remarks
16	90215-15141-00	WASHER, lock.....	1	
17	93608-52138-00	PIN, dowel.....	1	
18	2H7-15531-00-00	PLATE, stopper.....	1	
19	97301-08016-00	BOLT.....	1	
20	90215-06040-00	WASHER, lock.....	1	
21	2H7-18511-00-00	FORK, shift 1.....	1	
22	2H7-18512-00-00	FORK, shift 2.....	1	
23	2H7-18513-00-00	FORK, shift 3.....	1	
24	2H7-18531-01-00	BAR, shift fork guide 1.....	1	
25	93410-12003-00	CIRCLIP.....	1	
26	2H7-18122-00-00	LEVER, shift 2.....	1	
27	90508-10362-00	SPRING, torsion.....	1	
28	2H7-18151-00-00	LEVER, shift 3.....	1	
29	93440-08001-00	CIRCLIP.....	1	
30	93410-12003-00	CIRCLIP.....	1	



# SHIFT SHAFT - PEDAL



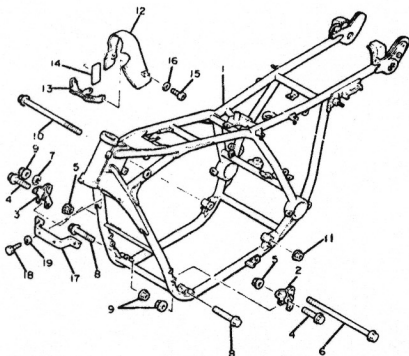
Ref. No.	Part Number	Description	Qty.	Rem
1	2H7-18101-00-00	SHIFT SHAFT ASS'Y .....	1	
2	90149-06017-00	SCREW .....	1	
3	95301-06600-00	NUT .....	1	
4	90215-06016-00	WASHER, lock. ....	1	
5	90560-11026-00	SPACER .....	1	
6	90508-29361-00	SPRING, torsion .....	1	
* 7	2H7-18111-00-00	PEDAL, shift. ....	1	
8	132-18113-01-00	COVER, shift pedal .....	1	
9	97301-09020-00	BOLT .....	1	
10	90109-08441-00	BOLT .....	1	
11	90215-08115-00	WASHER, lock. ....	1	
12	93102-12106-00	OIL SEAL .....	1	

\*Indicates new part numbers activated from March, 1981.



3J6119-0220

# FRAME



Ref. No.	Part Number	Description	Qty.	Remarks
* 1	10M-21110-00-98	FRAME COMP. ....	1	Low Gloss Black
2	3H3-21315-00-00	STAY, engine 2 .....	1	
3	3H3-21316-00-00	STAY, engine 3 .....	1	
4	90105-08107-00	BOLT, washer based.....	4	
5	90179-08246-00	NUT.....	4	
6	92105-10056-00	BOLT, washer based.....	1	
7	92903-10100-00	WASHER, spring (92901-10100)	1	
8	90105-10105-00	BOLT, washer based.....	2	
9	90179-10247-00	NUT.....	3	
10	90105-12106-00	BOLT, washer based.....	1	
11	90179-12248-00	NUT.....	1	
12	3H3-2139R-00-00	COVER 2 .....	1	
13	4R0-2139T-00-00	BRACKET, cover.....	1	
14	3H3-2139U-00-00	DAMPER 2.....	2	
15	98506-05012-00	SCREW, pan head.....	2	
16	92906-05200-00	WASHER, plain.....	2	
*17	10M-2134Y-00-00	STAY, horn.....	1	
18	97306-08018-00	BOLT.....	2	
19	92906-08100-00	WASHER, spring.....	2	

\*Indicates new part numbers activated from March, 1981.

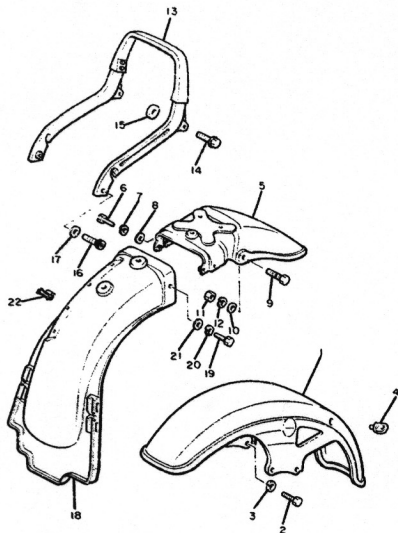


FIG171-2230

Initial Engine Number / Frame Number	10M-000101 / 10M-000104
Engine Mounting Bolts: Front, Upper	10 x 1.25: 5.5 m-kg
Front, Lower	10 x 1.25: 6.7 m-kg
Rear	12 x 1.25: 10.0 m-kg



# FRONT FENDER - REAR FENDER

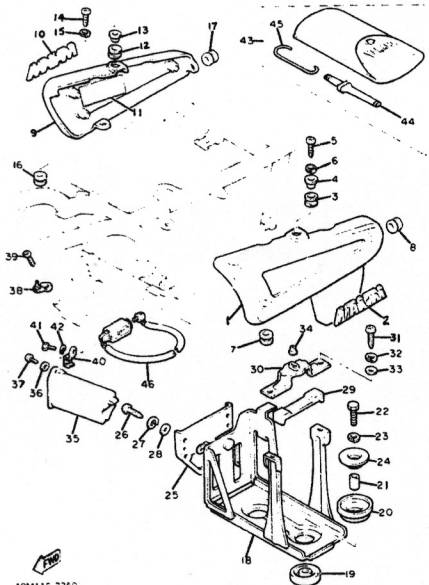


Ref. No.	Part Number	Description	Qty.	Remarks
* 1	10M-21610-00-93	FRONT FENDER COMP. ....	1	Chrome Plated
2	97301-08020-00	BOLT .....	4	
3	92903-08100-00	WASHER, spring (92901-08100)	4	
4	1A0-21518-00-00	HOLDER, cable .....	1	
* 5	10M-21610-00-93	REAR FENDER COMP. ....	1	Chrome Plated
6	97301-06018-00	BOLT .....	2	
7	92903-08100-00	WASHER, spring (92902-06100)	2	
8	92901-06600-00	WASHER (92902-06600) .....	2	
9	97303-10030-00	BOLT (97301-10030) .....	2	
10	92901-10800-00	WASHER, plate .....	2	
11	95301-10600-00	NUT (95302-10600) .....	2	
12	92903-10100-00	WASHER, spring (92901-10100)	2	
*13	10M-21640-00-00	REAR STAY COMP. ....	1	
14	91316-08020-00	BOLT .....	2	
15	341-23469-00-00	CAP, bolt .....	2	
16	95821-08025-00	BOLT, flange. ....	2	
*17	90201-090F4-00	WASHER, plate .....	2	
*18	10M-21629-00-00	GUARD, mud .....	1	
19	97301-06012-00	BOLT (97302-06012) .....	2	
20	92903-06100-00	WASHER, spring (92902-06100)	2	
21	90201-06755-00	WASHER, plate .....	2	
22	90464-18025-00	CLAMP .....	3	

\*Indicates new part numbers activated from March, 1981.

11G171-2240

# SIDE COVER - TOOL

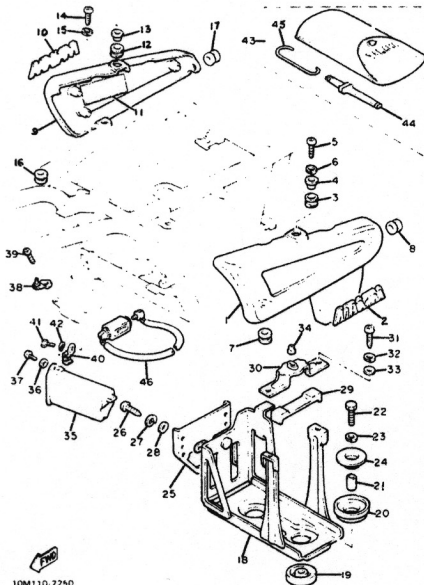


10M11C-2250

Ref. No.	Part Number	Description	Qty.	Remarks
* 1	10M-21710-00-6G	SIDE COVER ASS'Y 1	1	U.R. New Yamaha Blk
*	10M-21710-00-7J	SIDE COVER ASS'Y 1	1	U.R. New Ruby Red
* 2	10M-21781-00-00	EMBLEM 1	1	
3	90480-10297-00	GROMMET	1	
4	90387-06024-00	COLLAR	1	
5	92503-06020-00	SCREW, pan head (92501-06020)	1	
6	92903-06100-00	WASHER, spring (92902-06100)	1	
7	90480-01176-00	GROMMET	1	
8	90480-11224-00	GROMMET	1	
* 9	10M-21720-00-6G	SIDE COVER ASS'Y 2	1	U.R. New Yamaha Blk
*	10M-21720-00-7J	SIDE COVER ASS'Y 2	1	U.R. New Ruby Red
*10	10M-21782-00-00	EMBLEM 2	1	
*11	10M-21683-01-00	PLATE, specification	1	
12	90480-10297-00	GROMMET	1	
13	90387-06024-00	COLLAR	1	
14	92503-06020-00	SCREW, pan head (92501-06020)	1	
15	92903-06100-00	WASHER, spring (92902-06100)	1	
16	90480-01176-00	GROMMET	1	
17	90480-11224-00	GROMMET	1	
*18	10M-21170-01-00	BOX COMP.	1	
*19	10M-21746-01-00	DAMPER	2	
*20	10M-21747-00-00	DAMPER	2	
21	90387-064A5-00	COLLAR	1	
22	97301-06025-00	BOLT (97302-06025)	2	

\*Indicates new part numbers activated from March, 1981.

# SIDE COVER - TOOL

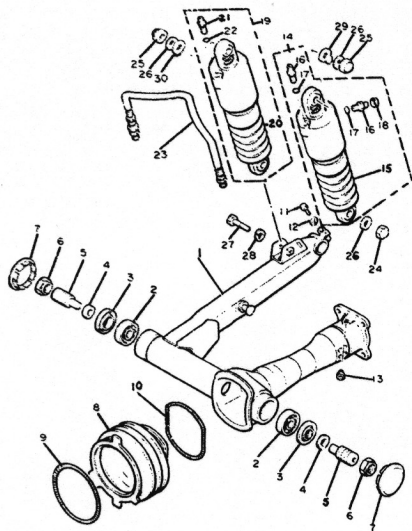


Ref. No.	Part Number	Description	Qty.	Remarks
23	92903-06100-00	WASHER, spring (92902-06100)	2	
24	90480-17218-00	GROMMET.....	1	
*25	10M-21543-01-00	PLATE 1.....	1	
26	98503-05012-00	SCREW, pan head (98502-05012)	2	
27	92903-05100-00	WASHER, spring (92902-05100)	2	
28	92901-05600-00	WASHER, plate.....	2	
*29	10M-21778-00-00	DAMPER, locating 1.....	1	
*30	10M-2177G-00-00	BOX, battery.....	1	
31	92503-06012-00	SCREW, pan head (92501-06012)	2	
32	92903-06100-00	WASHER, spring (92902-06100)	2	
33	92901-06600-00	WASHER (92902-06600).....	2	
*34	90480-12292-00	GROMMET.....	1	
35	4R0-21258-00-00	BOX.....	1	
36	90201-062A8-00	WASHER, plate.....	1	
37	92506-06016-00	SCREW, pan head.....	1	
38	4R0-2175H-01-00	STAY, lock.....	1	
39	91315-06012-00	BOLT.....	1	
40	4R0-2172E-00-00	STAY, side cover 1.....	1	
41	97306-06012-00	BOLT.....	1	
42	92906-06100-00	WASHER, spring.....	1	
43	3H3-28100-10-00	TOOL KIT.....	1	
44	2H7-2815A-00-00	GAUGE, oil level.....	1	
45	3H3-2814A-00-00	TOOL, wire.....	1	
46	4R0-W2171-00-00	WHEEL LOCK ASSY.....	1	

\*Indicates new part numbers activated from March, 1981.

10M110 2250

# REAR ARM - SUSPENSION



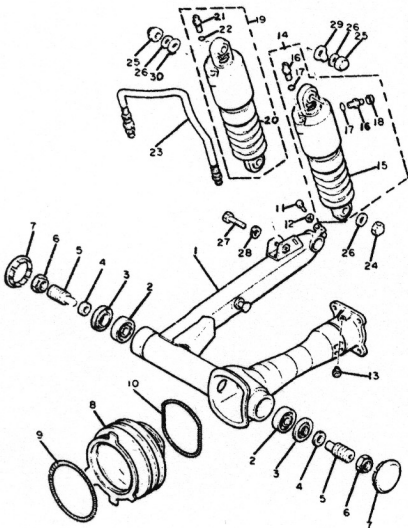
Ref. No.	Part Number	Description	Qty.	Remarks
* 1	10M-22110-01-98	REAR ARM COMP. ....	1	Low Gloss Blk
2	93332-00010-00	BEARING .....	2	
3	93102-25017-00	OIL SEAL .....	2	
4	90387-17543-00	COLLAR .....	2	
5	1J7-22141-00-00	SHAFT, pivot .....	2	
6	1J7-22143-00-00	NUT .....	2	
7	2H7-2219X-00-00	COVER .....	2	
8	2H7-22189-00-00	BOOT, rubber .....	1	
9	90506-07136-00	SPRING, tension .....	1	
10	90506-07135-00	SPRING, tension .....	1	
11	97306-08035-00	BOLT .....	1	
12	92906-08100-00	WASHER, spring .....	1	
13	93700-06004-00	NIPPLE, grease .....	1	
*14	10M-22203-00-00	REAR SHOCK ABSORBER 1 ...	1	
*15	10M-22263-00-00	BOOT, rear shock absorber ...	1	
16	3J2-23190-00-00	AIR VALVE COMP. ....	2	
17	3J2-23147-00-00	O-RING .....	2	
*18	10M-23184-00-00	CAP, air valve .....	1	

\*Indicates new part numbers activated from March, 1981.



11G171-2261

# REAR ARM - SUSPENSION

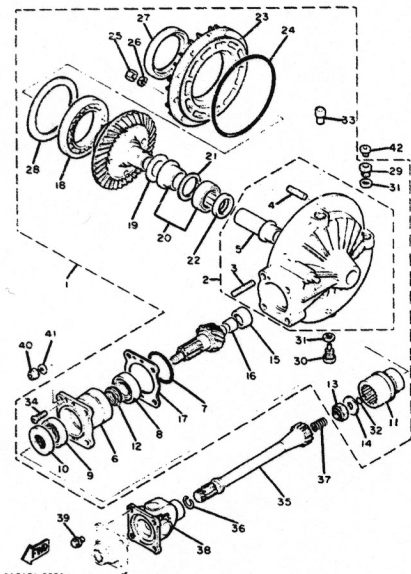


Ref. No.	Part Number	Description	Qty.	Remarks
*19	10M-22204-00-00	REAR SHOCK ABSORBER 2 ...	1	
*20	10M-22263-00-00	BOOT, rear shock absorber ...	1	
21	3J2-23190-00-00	AIR VALVE COMP. ....	1	
22	3J2-23147-00-00	O-RING .....	1	
*23	10M-22255-00-00	HOSE, joint.....	1	
24	90176-10013-00	NUT, crown .....	1	
25	90176-10009-00	NUT, crown .....	2	
26	90201-10142-00	WASHER, plate .....	3	
27	90106-10030-00	BOLT .....	1	
28	92903-10100-00	WASHER, spring.....	1	
29	4H7-22243-00-00	WASHER 1.....	1	
30	4H7-22244-00-00	WASHER 2.....	1	

\*Indicates new part numbers activated from March, 1981.

11G171-2261

# DRIVE SHAFT



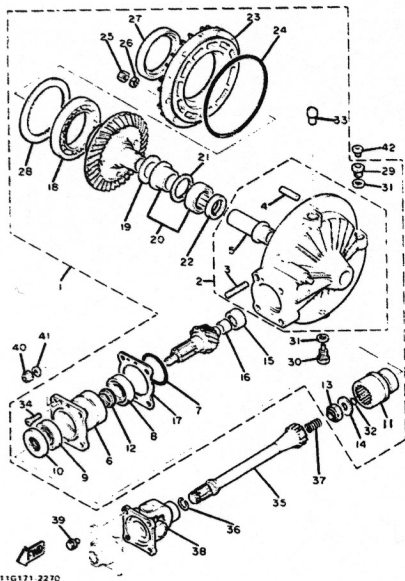
11G171-2270

Ref. No.	Part Number	Description	Qty.	Remarks
1	4R0-46101-00-00	REAR AXLE GEAR CASE ASS'Y	1	
2	4R0-46150-00-00	DRIVESHAFT HOUSING COMP	1	
* 3	90116-10359-00	BOLT, stud	4	
4	90116-08360-00	BOLT, stud	10	
5	1J7-46153-Y0-00	COLLAR, guide	1	
6	2H7-46124-01-00	HOUSING, bearing	1	
7	93210-58346-00	O-RING	1	
8	93332-00027-00	BEARING	1	
9	93332-00023-00	BEARING	1	
10	93101-38086-00	OIL SEAL	1	
11	2H7-46123-00-00	COUPLING, gear	1	
*12	1J7-46129-Y1-00	SPACER, expansion	1	
13	90185-14070-00	NUT, self-locking	1	
14	90201-14664-00	WASHER, plate	1	
15	93317-41510-00	BEARING, cylindrical	1	
16	2H7-46122-00-00	RACE, inner	1	
17	1J7-46127-Y0-30	SHIM (0.30T)	1	U.R.
	1J7-46127-Y0-35	SHIM (0.35T)	1	U.R.
	1J7-46127-Y0-40	SHIM (0.40T)	1	U.R.
	1J7-46127-Y0-45	SHIM (0.45T)	1	U.R.
	1J7-46127-Y0-50	SHIM (0.50T)	1	U.R.
18	93316-01403-00	BEARING, cylindrical	1	
19	1J7-46119-Y0-10	SHIM, thrust (0.1T)	1	U.R.
	1J7-46119-Y0-20	SHIM, thrust (0.2T)	1	U.R.
20	1J7-46106-N0-00	BEARING ASS'Y	1	

\*Indicates new part numbers activated from March, 1981.

Final Gear Case Capacity	300cc
Gear Case Lubricant: Temp. Above 8°C (46°F)	SAE 90 Hypoid Gear Oil GL-4
Temp. Below 18°C (60°F)	SAE 80 Hypoid Gear Oil GL-4
All Weather Conditions	SAE 80W90 Hypoid Gear Oil GL-4

# DRIVE SHAFT

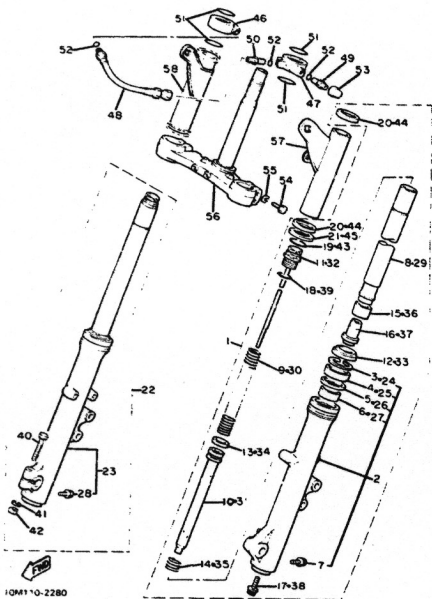


Ref. No.	Part Number	Description	Qty.	Remarks
21	1J7-46118-Y0-18	WASHER, thrust (1.8T)	1	U.R.
	1J7-46118-Y0-19	WASHER, thrust (1.9T)	1	U.R.
	1J7-46118-Y0-20	WASHER, thrust (2.0T)	1	U.R.
	1J7-46118-Y0-21	WASHER, thrust (2.1T)	1	U.R.
22	93101-30084-00	OIL SEAL	1	
23	2H7-46152-00-00	HOUSING, bearing	1	
24	93211-44348-00	O-RING	1	
25	95311-08600-00	NUT	10	
26	92901-08700-00	WASHER, wave	10	
27	93102-70167-00	OIL SEAL	1	
28	1J7-46117-Y0-30	SHIM, ring gear (0.30T)	1	U.R.
	1J7-46117-Y0-35	SHIM, ring gear (0.35T)	1	U.R.
	1J7-46117-Y0-40	SHIM, ring gear (0.40T)	1	U.R.
	1J7-46117-Y0-45	SHIM, ring gear (0.45T)	1	U.R.
*29	90340-14072-00	PLUG, straight screw	1	
30	90340-14042-00	PLUG, straight screw	1	
31	214-11198-01-00	GASKET	2	
32	93210-14359-00	O-RING	1	
33	4H3-17590-00-00	BREATHER COMP.	1	
34	98703-05018-00	SCREW, flat head (98701-05018)	1	
35	2H7-46172-00-00	SHAFT, drive	1	
36	90468-12088-00	CLIP	1	
37	90501-16491-00	SPRING, compression	1	
38	2H7-46180-00-00	CROSS JOINT COMP.	1	
39	90105-08066-00	BOLT, washer based	4	
40	95616-10100-00	NUT, U	4	
41	92906-10100-00	WASHER, spring	4	
42	341-23469-00-00	CAP, bolt	1	

\*Indicates new part numbers activated from March, 1981.

Final Gear Case Capacity	300cc
Gear Case Lubricant; Temp. Above 5°C (40°F)	SAE 90 Hypoid Gear Oil GL-4
Temp. Below 15°C (60°F)	SAE 80 Hypoid Gear Oil GL-4
All Weather Conditions	SAE 80W90 Hypoid Gear Oil GL-4

# FRONT FORK



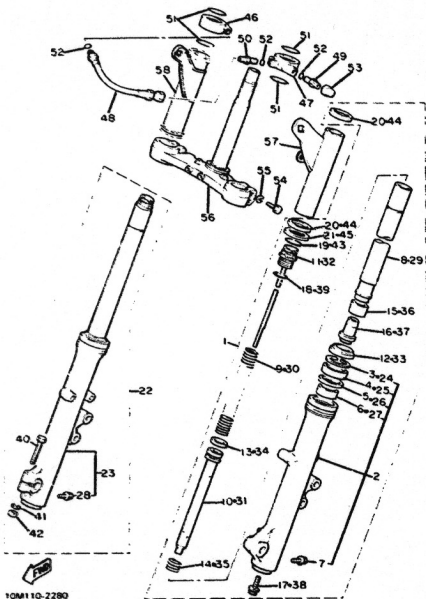
Ref. No.	Part Number	Description	Qty.	Remarks
* 1	10M-23102-00-00	FRONT FORK ASS'Y (L.H.)	1	
* 2	10M-23126-00-00	TUBE, outer 1	1	
* 3	10M-23156-00-00	CLIP, oil seal	1	
* 4	10M-23145-00-00	OIL SEAL	1	
* 5	10M-23147-00-00	SEAL, spacer	1	
* 6	3H3-23125-00-00	METAL, slide 1	1	
* 7	10M-23119-00-00	PLUG, drain	1	
* 8	10M-23110-00-00	INNER TUBE COMP. 1	1	
* 9	10M-23141-00-00	SPRING, front fork	1	
* 10	10M-23170-00-00	CYLINDER COMP., front fork	1	
* 11	10M-23111-00-00	BOLT, cap	1	
* 12	10M-23144-00-00	SEAL, dust	1	
13	2F3-23157-00-00	PISTON RING, front fork	1	
* 14	10M-23151-00-00	SPRING, rebound	1	
15	3H3-23135-00-00	METAL, slide 2	1	
* 16	10M-23166-00-00	SPACER, oil lock	1	
17	3M7-23181-00-00	BOLT, hexagon socket head	1	
18	3H3-23114-00-00	GASKET	1	
19	3H3-23163-00-00	GASKET	1	
20	3H3-23115-00-00	GUIDE, cover upper	2	
* 21	10M-23115-00-00	GUIDE, cover upper	1	

\*Indicates new part numbers activated from March, 1981.

Front Forks: Oil Type / Level / Qty	10 Wt. Fork Oil* / 210mm / 250cc
Air Pressure Min ~ Max / Standard	0.4 ~ 1.2 kg/cm <sup>2</sup> / 0.4 kg/cm <sup>2</sup>
Spring Length Std	599.2mm



# FRONT FORK

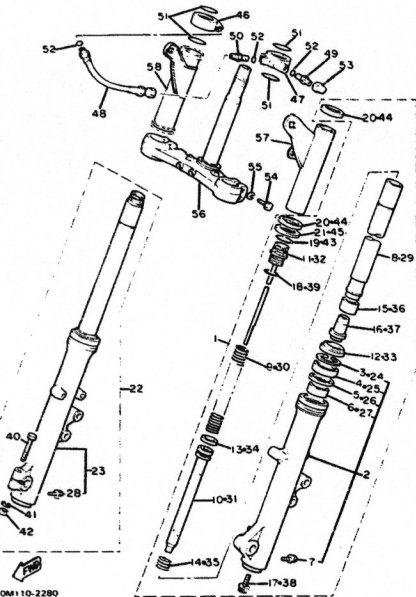


Ref. No.	Part Number	Description	Qty.	Remarks
*22	10M-23103-00-00	FRONT FORK ASS'Y (R.H.)	1	
*23	10M-23136-00-00	TUBE, outer 2	1	
*24	10M-23156-00-00	CLIP, oil seal	1	
*25	10M-23145-00-00	OIL SEAL	1	
*26	10M-23147-00-00	SEAL, spacer	1	
*27	3H3-23125-00-00	METAL, slide 1	1	
*28	10M-23119-00-00	PLUG, drain	1	
*29	10M-23110-00-00	INNER TUBE COMP. 1	1	
*30	10M-23141-00-00	SPRING, front fork	1	
*31	10M-23170-00-00	CYLINDER COMP., front fork	1	
*32	10M-23111-00-00	BOLT, cap	1	
*33	10M-23144-00-00	SEAL, dust	1	
34	2F3-23157-00-00	PISTON RING, front fork	1	
*35	10M-23151-00-00	SPRING, rebound	1	
36	3H3-23135-00-00	METAL, slide 2	1	
*37	10M-23166-00-00	SPACER, oil lock	1	
38	3M7-23181-00-00	BOLT, hexagon socket head	1	
39	3H3-23114-00-00	GASKET	1	
40	2G2-23128-00-00	BOLT, axle holder	1	
41	92903-08100-00	WASHER, spring (92901-08100)	1	
42	92811-08200-00	NUT	1	

\*Indicates new part numbers activated from March, 1981

Front Forks: Oil Type / Level / Qty	10 Wt. Fork Oil* / 210mm / 250cc
Air Pressure Min ~ Max / Standard	0.4 ~ 1.2 kg/cm <sup>2</sup> / 0.4 kg/cm <sup>2</sup>
Spring Length Std	599.2mm

# FRONT FORK

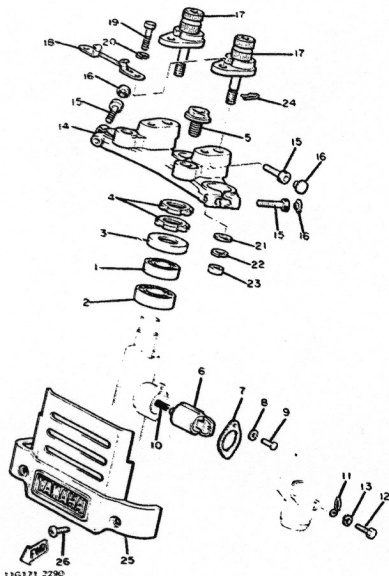


Ref. No.	Part Number	Description	Qty.	Remarks
43	3H3-23163-00-00	GASKET.....	1	
44	3H3-23115-00-00	GUIDE, cover upper.....	2	
*45	10M-23115-00-00	GUIDE, cover upper.....	1	
*46	10M-2319A-00-00	JOINT, air 2.....	1	
*47	10M-2318A-00-00	JOINT, air 1.....	1	
*48	10M-2318F-00-00	HOSE, air.....	1	
*49	5K7-23190-00-00	AIR VALVE COMP.....	1	
*50	10M-2318E-00-00	CONNECTOR.....	1	
*51	10M-23188-00-00	O-RING.....	4	
52	3H3-23147-00-00	O-RING.....	3	
*53	5K7-23184-00-00	CAP, air valve.....	1	
54	3J3-23346-00-00	BOLT 1.....	4	
55	3J3-23159-00-00	WASHER, spring, lower.....	4	
*56	10M-23340-00-90	UNDERBRACKET COMP.....	1	Uni Chrome (Blk)
*57	10M-23121-00-93	COVER, upper 1.....	1	Chrome Plated
*58	10M-23131-00-93	COVER, upper 2.....	1	Chrome Plated

\*Indicates new part numbers activated from March, 1981.

Front Forks: Oil type / Level / Qty	10 Wt. Fork Oil* / 210mm / 250cc
Air Pressure Min ~ Max / Standard	0.4 ~ 1.2 kg/cm <sup>2</sup> / 0.4 kg/cm <sup>2</sup>
Spring Length Std	599.2mm

# STEERING

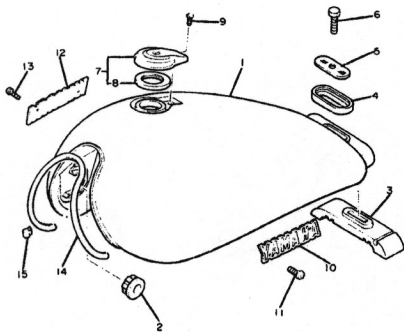


11G171 2290

Ref. No.	Part Number	Description	Qty.	Remarks
1	93332-00023-00	BEARING .....	1	
2	93332-00008-00	BEARING .....	1	
3	4H3-23415-00-00	COVER, ball race 1 .....	1	
4	4H3-23454-00-00	NUT, fitting 2.....	2	
5	4H3-23451-00-00	BOLT, fitting 1.....	1	
6	4R3-23408-00-00	STEERING LOCK ASS'Y .....	1	
7	584-23484-01-00	CAP, handle lock.....	1	
8	90208-04029-00	WASHER, conical spring .....	1	
9	90269-04003-00	RIVET .....	1	
10	90502-09024-00	SPRING, conical .....	1	
11	2G2-23318-00-00	HOLDER, cable 1 .....	1	
12	97301-06012-00	BOLT .....	1	
13	92903-06100-00	WASHER, spring (92901-06100) .....	1	
14	10M-23435-00-98	CROWN, handle .....	1	Low Gloss Bik
15	91316-08040-00	BOLT .....	3	
16	341-23469-00-00	CAP, bolt .....	3	
*17	10M-23442-00-98	HOLDER, handle lower.....	2	
*18	10M-26226-00-00	BRACKET, handle cover 1.....	1	
19	97321-08025-00	BOLT .....	2	
20	92903-08100-00	WASHER, spring (92901-08100) .....	2	
21	92906-10600-00	WASHER .....	2	
22	92906-10100-00	WASHER, spring.....	2	
23	95306-10700-00	NUT.....	2	
*24	90468-12124-00	CLIP.....	2	
*25	10M-23122-00-00	COVER, outer 1.....	1	
26	98903-06010-00	SCREW, bind.....	2	

\*Indicates new part numbers activated from March, 1981.

# FUEL TANK



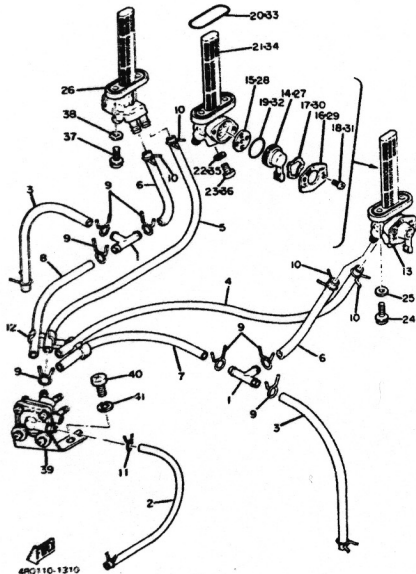
Ref. No.	Part Number	Description	Qty.	Remarks
* 1	10M-24110-00-6G	FUEL TANK COMP. ....	1	U.R. New Yamaha Blk
*	10M-24110-00-7J	FUEL TANK COMP. ....	1	U.R. New Ruby Red
2	1J7-24181-01-00	DAMPER, locating 1.....	2	
* 3	10M-24182-90-00	DAMPER, locating 2.....	1	
4	4H7-24183-00-00	DAMPER, locating 3.....	1	
5	4H7-24186-00-00	WASHER, special .....	1	
6	97302-08012-00	BOLT .....	1	
7	4X7-24802-00-00	CAP ASS'Y.....	1	
8	4X7-24812-00-00	GASKET, cap .....	1	
9	98506-05010-00	SCREW, pan head.....	1	
*10	10M-24161-00-00	EMBLEM 1.....	1	
11	90152-04006-00	SCREW, countersunk.....	2	
*12	10M-24162-00-00	EMBLEM 2.....	1	
13	90152-04006-00	SCREW, countersunk.....	2	
*14	10M-24189-00-00	PLATE, mold.....	1	
15	90468-03063-00	CLIP.....	5	

\*Indicates new part numbers activated from March, 1981.

11G171-2300

Basic Colors)	New Yamaha Black (B)	New Ruby Red (R)
Fuel Type / Fuel Tank Capacity / Reserve Capacity	Regular / 19 Lit. / 4.1 Lit.	

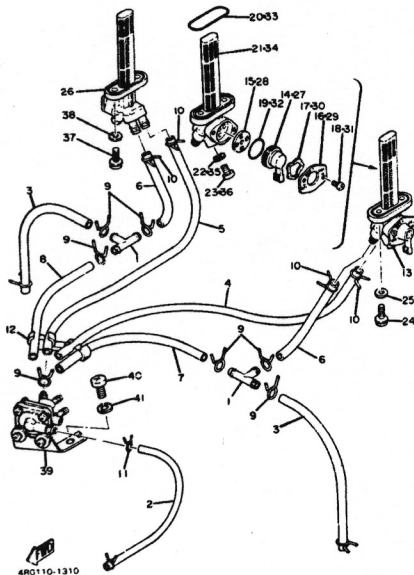
# FUEL COCK - PIPING



Ref. No.	Part Number	Description	Qty.	Remarks
1	3H3-24376-00-00	PIPE, joint 1.....	2	
2	90445-07036-00	HOSE.....	1	
3	90445-10345-00	HOSE.....	2	
4	3H3-24311-00-00	PIPE, fuel 1.....	1	
5	3H3-24312-00-00	PIPE 2.....	1	
6	3H3-24313-00-00	PIPE 3.....	2	
7	3H3-24314-00-00	PIPE 4.....	1	
8	3H3-24315-00-00	PIPE 5.....	1	
9	90467-09006-00	CLIP.....	12	
10	90467-10039-00	CLIP.....	4	
11	90467-07029-00	CLIP.....	2	
12	3H3-24366-00-00	CLAMP, fuel pipe 1.....	1	
*13	3H3-24500-01-00	FUEL COCK ASS'Y 1.....	1	
14	3H3-24524-00-00	LEVER, cock.....	1	
15	3H3-24523-00-00	VALVE.....	1	
16	3H3-24525-00-00	PLATE, lever fitting.....	1	
17	3H3-24518-00-00	WASHER, wave.....	1	
18	98501-03008-00	SCREW, pan head.....	2	
19	3H3-24534-00-00	O-RING.....	1	
20	3H3-24512-00-00	O-RING, fuel cock.....	1	

\*Indicates new part numbers activated from March, 1981.

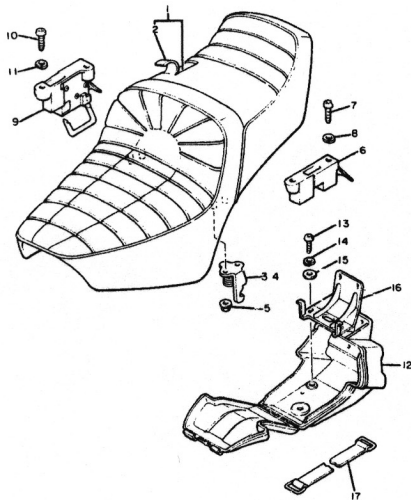
# FUEL COCK - PIPING



Ref. No.	Part Number	Description	Qty.	Remarks
21	3Y1-24514-20-00	. NET, filter 1 .....	1	
22	3H3-24522-00-00	. GASKET .....	2	
23	98501-05010-00	. SCREW, pan head (98503-05008) .....	2	
24	90149-06011-00	. SCREW .....	2	
25	90202-06010-00	. WASHER, plate .....	2	
*26	3H3-24510-01-00	. FUEL COCK ASS'Y 2 .....	1	
27	3H3-24524-10-00	. LEVER, cock .....	1	
28	3H3-24523-00-00	. VALVE .....	1	
29	3H3-24525-10-00	. PLATE, lever fitting .....	1	
30	3H3-24518-00-00	. WASHER, wave .....	1	
31	98501-03008-00	. SCREW, pan head .....	2	
32	3H3-24534-00-00	. O-RING .....	1	
33	3H3-24512-00-00	. O-RING, fuel cock .....	1	
34	3Y1-24514-20-00	. NET, filter 1 .....	1	
34	3Y1-24514-20-00	. NET, filter 1 .....	1	
35	3H3-24522-00-00	. GASKET .....	2	
36	98501-05010-00	. SCREW, pan head (98503-05008) .....	2	
37	90149-06011-00	. SCREW .....	2	
38	90202-06010-00	. WASHER, plate .....	2	
39	3H3-24520-01-00	. DIAPHRAGM ASS'Y .....	1	
40	98501-08015-00	. SCREW, pan head .....	1	
41	92903-08100-00	. WASHER, spring (92901-08100)	1	

\*Indicates new part numbers activated from March, 1981.

# SEAT

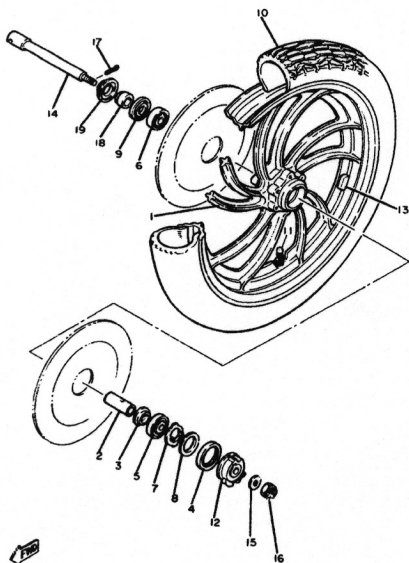


Ref. No.	Part Number	Description	Qty.	Remarks
* 1	10M-W2472-00-00	DOUBLE SEAT ASS'Y	1	
* 2	10M-24731-00-00	. COVER, double seat	1	
* 3	10M-24728-00-00	BRACKET, seat	1	
* 4	10M-24738-00-00	BRACKET, seat	1	
* 5	95702-06100-00	NUT, flange	4	
* 6	4L0-24760-00-00	SEAT LEVER ASS'Y	1	
7	92503-06012-00	SCREW, pan head (92501-06012)	2	
8	92903-06100-00	WASHER, spring (92902-06100)	2	
* 9	4L0-24705-00-00	SEAT LOCK ASS'Y	1	
10	92503-06012-00	SCREW, pan head (92501-06012)	2	
11	92903-06100-00	WASHER, spring (92902-06100)	2	
*12	10M-2473R-00-00	BOX 1	1	
13	92503-06015-00	SCREW, pan head (92502-06016)	3	
14	92903-06100-00	WASHER, spring (92902-06100)	3	
15	90201-0E750-00	WASHER, plate	3	
*16	10M-2475H-00-00	BRACKET, seat lever 1	1	
17	122-82131-00-00	BAND, battery	1	

\*Indicates new part numbers activated from March, 1981.



# FRONT WHEEL



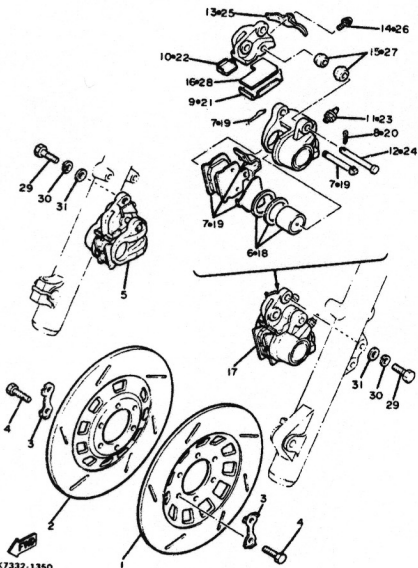
Ref. No.	Part Number	Description	Qty.	Remarks
* 1	4W1-25168-20-98	CAST WHEEL, front	1	Low Gloss Black
2	90560-17126-00	SPACER	1	
3	1A1-25115-00-00	FLANGE, spacer 1	1	
4	93105-45017-00	OIL SEAL	1	
5	93306-30309-00	BEARING (B6303ZZ)	1	
6	93306-30303-00	BEARING (B6303Z)	1	
7	341-25149-00-00	CLUTCH, meter	1	
8	341-25846-00-00	RETAINER, clutch	1	
9	93102-28022-00	OIL SEAL	1	
*10	94135-19498-00	TIRE (3.50-19)	1	Bridgestone
11	93900-00001-00	VALVE, rim (16024 101)	1	Bridgestone
12	2G2-25190-00-00	GEAR UNIT ASS'Y	1	
13	1A1-25398-01-00	BALANCER, wheel (20G)	1	U.N.
	1A1-25399-00-00	BALANCER, wheel (10G)	1	U.N.
	2M0-25399-00-00	BALANCER, wheel (30G)	1	U.N.
14	341-25181-01-00	AXLE, wheel	1	
15	92901-14200-00	WASHER, plain	1	
16	90171-14020-00	NUT, castle (90171-14006)	1	
17	91401-30030-00	PIN, cotter	1	
18	90387-17433-00	COLLAR	1	
19	341-25118-00-00	COVER, hub dust	1	

\*Indicates new part numbers activated from March, 1981.

Minimum Brake Lining Thickness	Front: 0.8mm	Rear: 0.8mm
Tire Size (Nominal Pressure)	F: 3.50H19 (1.8 kg/cm <sup>2</sup> )	R: 130/90-16 67H (2.0 kg/cm <sup>2</sup> )
Front Axle Nut	14 x 1.5: 11.0 m-tg	
Front Axle Holder Nut	8 x 1.5: 2.0 m-tg	



# FRONT BRAKE - CALIPER

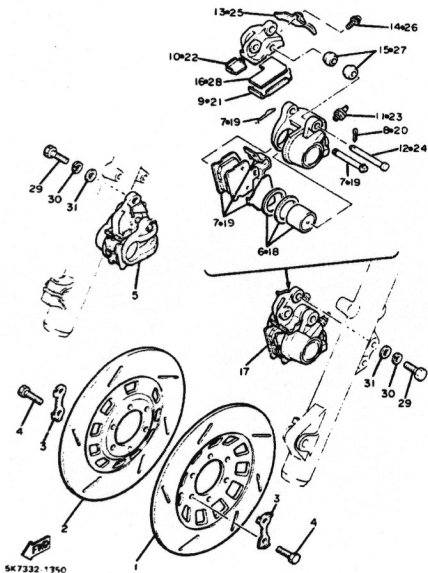


Ref. No.	Part Number	Description	Qty.	Remarks
1	3H5-25831-10-00	DISC, brake	1	
2	3H5-25831-00-00	DISC, brake	1	
3	3H5-25834-00-00	WASHER, lock	6	
4	90101-08477-00	BOLT	12	
5	4W1-25810-00-00	CALIPER ASS'Y (right)	1	
6	4W1-W0057-00-00	PISTON ASS'Y, caliper	1	
7	4W1-W0045-00-00	BRAKE PAD KIT, front	1	
8	91490-20015-00	PIN, cotter	1	
9	4W1-25913-00-00	RETAINER	1	
10	4W1-25828-00-00	SHIM, caliper	1	
11	1J3-W0048-00-00	BREED SCREW KIT	1	
12	4W1-25914-00-00	PIN, slide	1	
13	4W1-25836-00-00	COVER, dust	1	
14	4L3-25818-00-00	BOLT, caliper	1	
15	4L0-25917-00-00	BOOT, caliper	2	
*16	4W1-25828-50-00	SHIM, caliper	1	

\*Indicates new part numbers activated from March, 1981.

U.N

# FRONT BRAKE - CALIPER

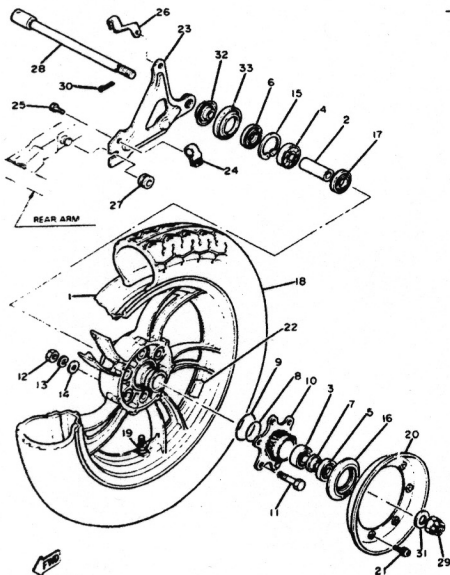


5K7332 1350

Ref. No.	Part Number	Description	Qty.	Remarks
17	4W1-25810-10-00	CALIPER ASS'Y (left)	1	
18	4W1-W0057-00-00	PISTON ASS'Y, caliper	1	
19	4W1-W0045-10-00	BRAKE PAD KIT, front	1	
20	91490-20015-00	PIN, cotter	1	
21	4W1-25913-10-00	RETAINER	1	
22	4W1-25828-00-00	SHIM, caliper	1	
23	1J3-W0048-00-00	BREED SCREW KIT	1	
24	4W1-25914-00-00	PIN, slide	1	
25	4W1-25836-10-00	COVER, dust	1	
26	4L3-25818-00-00	BOLT, caliper	1	
27	4L0-25917-00-00	BOOT, caliper	2	
28	4W1-25828-50-00	SHIM, caliper	1	
29	90101-10308-00	BOLT	4	
30	92903-10100-00	WASHER, spring (92901-10100)	4	
31	92903-10200-00	WASHER, plain (92901-10200)	4	

U.N.

# REAR WHEEL



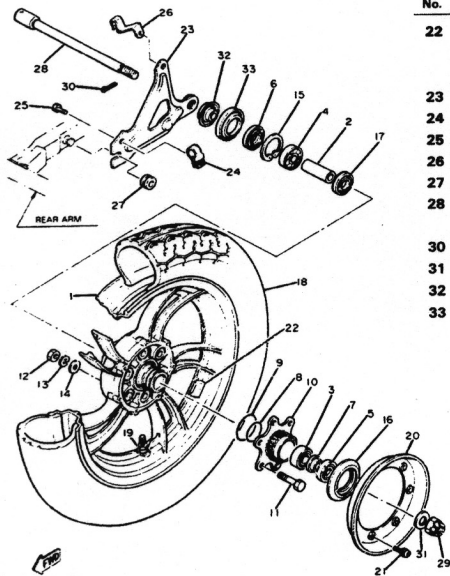
4W110-1350

Ref. No.	Part Number	Description	Qty.	Remarks
* 1	4W1-W2533-20-98	CAST WHEEL, rear	1	Low Gloss Black
2	2H7-25317-00-00	SPACER, bearing	1	
3	93313-82010-00	BEARING, cylindrical	1	
4	93306-30404-00	BEARING (B6304Z)	1	
5	93102-25045-00	OIL SEAL	1	
6	93104-27026-00	OIL SEAL	1	
7	90387-20541-00	COLLAR	1	
8	93210-41358-00	O-RING	1	
9	93210-58144-00	O-RING	1	
10	2H7-25366-00-00	CLUTCH, hub	1	
11	90109-10491-00	BOLT	6	
12	95380-10600-00	NUT	6	
13	92903-10100-00	WASHER, spring (92901-10100)	6	
14	90201-10124-00	WASHER, plate	6	
15	93420-52014-00	CIRCLIP	1	
16	1J7-25319-01-00	SEAL, hub dust	1	
17	2H7-25315-00-00	FLANGE, spacer	1	
*18	94113-16499-00	TIRE	1	Bridgestone
19	93900-00001-00	VALVE, rim (16024 101)	1	Bridgestone
20	2H7-25327-00-00	COVER, plate	1	
21	90159-05018-00	SCREW, with washer	4	

\*Indicates new part numbers activated from March, 1981.

Minimum Brake Lining Thickness	Front: 0.8mm	Rear: 0.8mm
Tire Size (Nominal Pressure)	F:3.50H19 (1.8 kg/cm <sup>2</sup> )	R:130/90-16 67H (2.0 kg/cm <sup>2</sup> )
Rear Axle Nut	18 x 1.5: 15.0 m-kg	
Rear Axle Pinch Bolt	8 x 1.25: 0.6 m-kg	

# REAR WHEEL

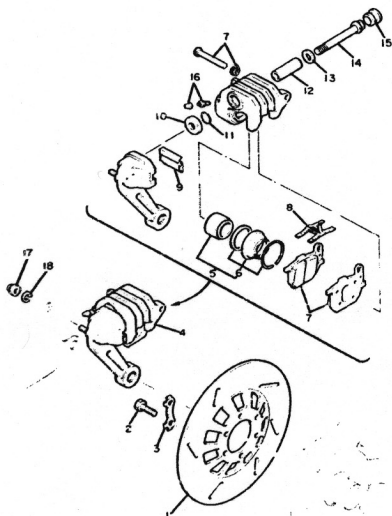


4W1110-1350

Ref. No.	Part Number	Description	Qty.	Remarks
22	1A1-25398-01-00	BALANCER, wheel (20G).....	1	U.N.
	1A1-25399-00-00	BALANCER, wheel (10G).....	1	U.N.
	2M0-25399-00-00	BALANCER, wheel (30G).....	1	U.N.
23	3H3-25371-00-00	PLATE, torque stopper.....	1	
24	90461-10023-00	CLAMP.....	1	
25	97306-06014-00	BOLT.....	1	
26	4W1-25887-00-00	HOLDER, brake hose.....	1	
27	3H3-25374-00-00	SPACER, torque stopper.....	1	
28	2H7-25381-00-00	AXLE, wheel.....	1	
	90171-18008-00	NUT, castle.....	1	
30	91401-40040-00	PIN, cotter.....	1	
31	90201-18620-00	WASHER, plate.....	1	
32	3H3-25377-00-00	COLLAR, wheel.....	1	
33	1J7-25367-00-00	COVER, hub dust.....	1	

Minimum Brake Lining Thickness	Front: 0.8mm	Rear: 0.8mm
Tire Size (Nominal Pressure)	F: 3.50H19 (1.8 kg/cm <sup>2</sup> )	R: 130/90-16 67H (2.0 kg/cm <sup>2</sup> )
Rear Axle Nut	18 x 1.5: 15.0 m·kg	
Rear Axle Pinch Bolt	8 x 1.25: 0.6 m·kg	

# REAR BRAKE CALIPER

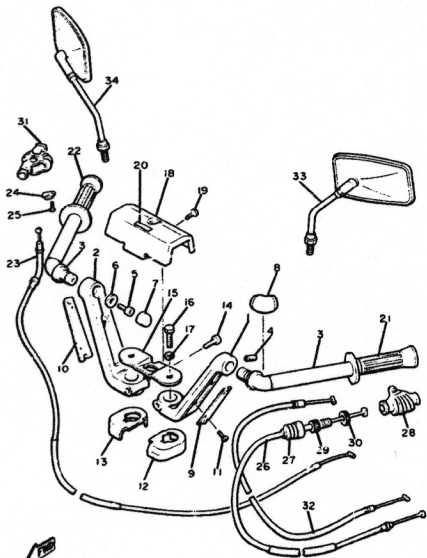


11G171-2360

Ref. No.	Part Number	Description	Qty.	Remarks
* 1	10M-25831-50-00	DISC, brake	1	
2	90101-08477-00	BOLT	6	
3	3H5-25834-00-00	WASHER, lock	3	
4	4W1-25810-50-00	CALIPER ASS'Y	1	
5	2G2-W0057-00-00	PISTON ASS'Y, caliper	1	
6	2G2-W0047-00-00	CALIPER SEAL KIT	1	
7	4W1-W0048-00-00	BRAKE PAD KIT, rear	1	
8	2G2-25919-00-00	PAD SPRING, caliper	1	
9	2G2-25849-01-00	RETAINER, caliper	1	
10	4W1-25922-50-00	WASHER	1	
11	4W1-25918-50-00	O-RING	1	
12	4W1-25838-50-00	SLEEVE, caliper	1	
13	4W1-25923-50-00	WASHER	1	
14	4W1-25821-50-00	BOLT 1	1	
15	4W1-25916-50-00	PLUG	1	
16	1J3-W0048-00-00	BREED SCREW KIT	1	
17	95303-08800-00	NUT, crown	1	
18	92903-08100-00	WASHER, spring	1	

\*Indicates new part numbers activated from March, 1981.

# HANDLEBAR - CABLE

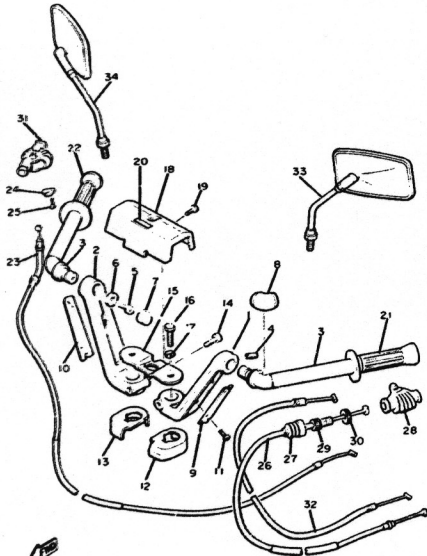


11G171-2370

Ref. No.	Part Number	Description	Qty.	Remarks
* 1	10M-26121-00-00	HANDLEBAR (L.H.)	1	
* 2	10M-26122-00-00	HANDLEBAR (R.H.)	1	
* 3	10M-26112-00-00	BAR, handle	2	
* 4	90110-06046-00	BOLT, hexagon socket head	2	
5	91311-06012-00	BOLT	2	
* 6	90201-067E6-00	WASHER, plate	2	
* 7	10M-26133-00-00	CAP	2	
* 8	10M-26147-00-00	BOOT, handlebar	2	
* 9	10M-26144-00-00	COVER, handlebar lower 1	1	
*10	10M-26146-00-00	COVER, handlebar lower 2	1	
11	98506-05010-00	SCREW, pan head	4	
*12	10M-26143-00-00	COVER, handlebar upper 1	1	
*13	10M-26145-00-00	COVER, handlebar upper 2	1	
*14	90110-08047-00	BOLT, hexagon socket head	2	
*15	10M-26129-00-00	WASHER	1	
16	97321-08020-00	BOLT	2	
17	92903-08100-00	WASHER, spring (92901-08100)	2	

\*Indicates new part numbers activated from March, 1981.

# HANDLEBAR - CABLE

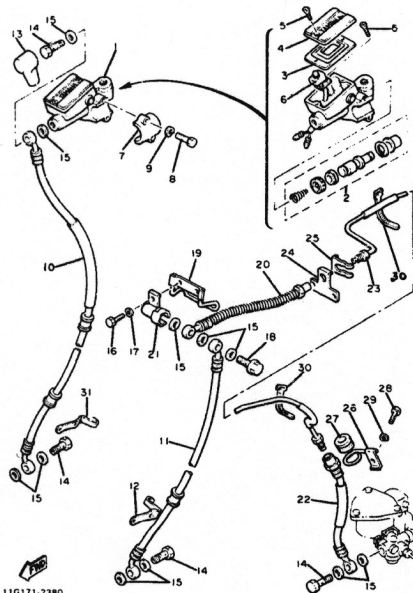


Ref. No.	Part Number	Description	Qty.	Remarks
*18	10M-26213-00-00	COVER, upper .....	1	
*19	98806-05010-00	SCREW, oval head .....	1	
*20	10M-26219-00-00	EMBLEM .....	1	
21	5G2-26241-10-00	GRIP (L.H.).....	1	
22	5G2-26240-10-00	GRIP ASS'Y.....	1	
*23	10M-26311-00-00	CABLE, throttle 1 .....	1	
24	5H0-26393-00-00	HOLDER .....	1	
25	98506-05008-00	SCREW, pan head.....	1	
*26	10M-26335-00-00	CABLE, clutch .....	1	
27	1E6-26342-00-00	BOOT, cable.....	1	
*28	11H-26372-00-00	COVER, handle lever 1.....	1	
29	90123-08046-00	BOLT .....	1	
30	90179-08148-00	NUT .....	1	
31	1T5-26372-00-00	COVER, handle lever 1.....	1	
*32	10M-26331-00-00	CABLE, starter 1 .....	1	
33	4H7-26290-10-00	BACK MIRROR ASS'Y.....	1	
34	4H7-26290-00-00	BACK MIRROR ASS'Y.....	1	

\* Indicates new part numbers activated from March, 1981.

F12

# FRONT MASTER CYLINDER



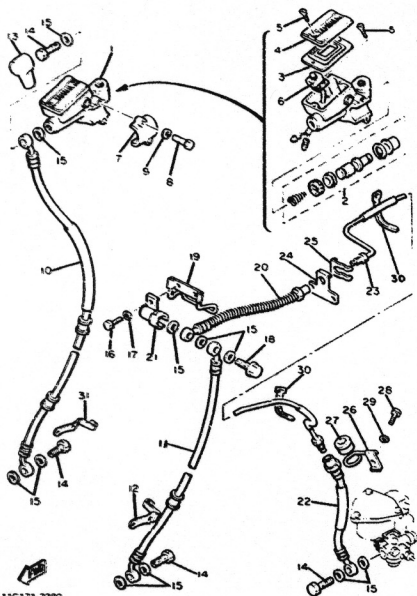
11G171-2380

Ref. No.	Part Number	Description	Qty.	Remarks
* 1	10M-25850-00-00	MASTER CYLINDER ASS'Y . . . .	1	
2	4H7-W0041-00-00	CYLINDER KIT, master . . . . .	1	
3	4L0-25854-00-00	DIAPHRAGM, reservoir . . . . .	1	
4	4L0-25852-00-00	CAP, reservoir . . . . .	1	
5	98706-04010-00	SCREW, flat head . . . . .	3	
* 6	10M-85702-00-00	LEAD SWITCH ASS'Y . . . . .	1	
7	4L0-25867-00-00	BRACKET, master cylinder . . . .	1	
8	97326-06025-00	BOLT . . . . .	2	
9	92906-06100-00	WASHER, spring . . . . .	2	
*10	10M-25872-10-00	HOSE, brake 1 . . . . .	1	
*11	10M-25872-50-00	HOSE, brake 1 . . . . .	1	
*12	10M-25875-00-00	HOLDER, brake hose 1 . . . . .	1	
13	306-25862-00-00	BGOT, master cylinder . . . . .	1	
14	4H3-25877-00-00	BOLT, oil 1 . . . . .	4	
15	90201-10118-00	WASHER, plate . . . . .	11	
16	97306-06016-00	BOLT . . . . .	1	

\*Indicates new part numbers activated from March, 1981.



# FRONT MASTER CYLINDER

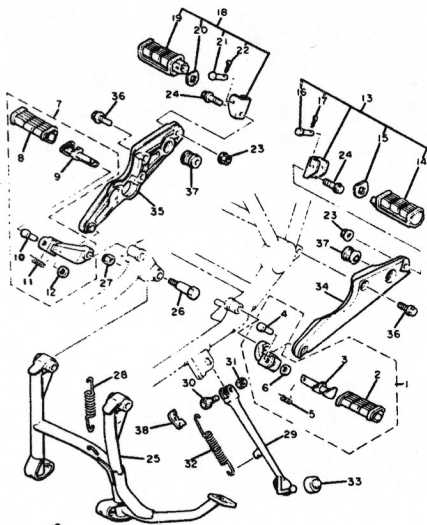


11G171-2280

Ref. No.	Part Number	Description	Qty.	Remarks
17	92906-06100-00	WASHER, spring	1	
*18	4W1-25877-00-00	BOLT, oil 1	1	
*19	10M-26399-00-00	GUIDE, cable	1	
20	4W1-25873-00-00	HOSE, brake 2	1	
21	4W1-25885-00-00	JOINT	1	
22	4W1-25873-50-00	HOSE, brake 2	1	
*23	1M-25882-50-00	PIPE, brake 2	1	
24	4W1-25876-00-00	HOLDER, brake hose 2	1	
25	90468-06023-00	CLIP	1	
26	4W1-25886-01-00	HOLDER, brake hose	1	
27	341-25881-00-00	PROTECTOR, brake hose	1	
28	97306-06010-00	BOLT	1	
29	92906-06100-00	WASHER, spring	1	
30	437-83936-10-00	BAND, switch cord	3	
*31	10M-25876-00-00	HOLDER, brake hose 2	1	

\*Indicates new part numbers activated from March, 1981.

# STAND - FOOTREST

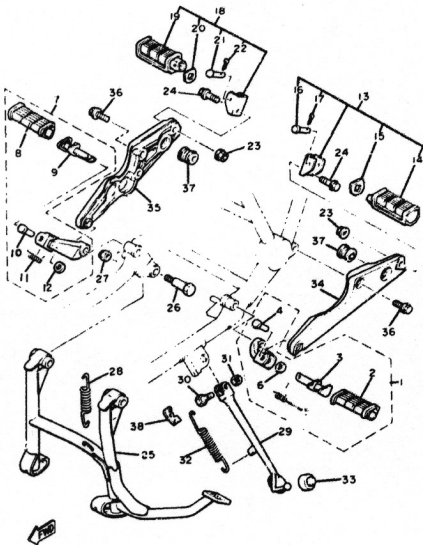


11G171-2390

Ref. No.	Part Number	Description	Qty.	Remarks
* 1	10M-27410-00-00	FRONT FOOTREST ASS'Y (L.H.)	1	
2	4X7-27413-00-00	COVER, footrest	1	
3	4X7-27417-00-00	WASHER, footrest	1	
4	90243-08006-00	PIN	1	
5	90508-20023-00	SPRING, torsion	1	
6	90201-06042-00	WASHER, plate	1	
* 7	10M-27420-00-00	FRONT FOOTREST ASS'Y (R.H.)	1	
8	4X7-27413-00-00	COVER, footrest	1	
9	4X7-27417-00-00	WASHER, footrest	1	
10	90243-08006-00	PIN	1	
11	90508-20023-00	SPRING, torsion	1	
12	90201-06042-00	WASHER, plate	1	
* 13	10M-27430-00-00	REAR FOOTREST ASS'Y 1	1	
14	3H5-27433-00-00	COVER, rear footrest	1	
15	90209-18190-00	WASHER	1	
* 16	91701-06032-00	PIN, clevis	1	
17	91401-20015-00	PIN, cotter	1	

\*Indicates new part numbers activated from March, 1981.

## STAND - FOOTREST

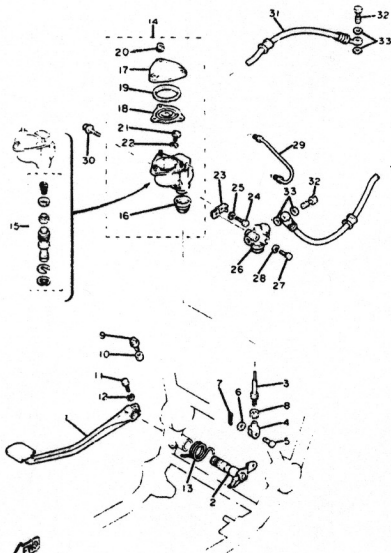


11G171-2390

Ref. No.	Part Number	Description	Qty.	Remarks
*18	10M-27440-00-00	REAR FOOTREST ASS'Y 2	1	
19	3H5-27444-00-00	COVER, rear footrest	1	
20	90209-18190-00	WASHER	1	
*21	91701-08032-00	PIN, clevis	1	
22	91401-20015-00	PIN, cotter	1	
23	95701-10100-00	NUT, flange	2	
24	95821-10035-00	BOLT, flange	2	
*25	3H3-27111-01-00	STAND, main	1	
26	90109-10440-00	BOLT	2	
27	95601-10100-00	NUT, U	2	
28	90506-45199-00	SPRING, tension	1	
29	3H3-27311-00-00	STAND, side	1	
30	90109-10473-00	BOLT	1	
31	95301-10700-00	NUT	1	
*32	90506-29266-00	SPRING, tension	1	
33	1A0-27114-00-00	STOPPER, main stand	1	
34	3H3-27442-01-00	BRACKET 2	1	
35	3H3-27443-01-00	BRACKET 3	1	
36	90105-10115-00	BOLT, washer based	3	
37	3H3-27414-00-00	DAMPER, footrest	2	
*38	10M-27315-00-00	LINK, side stand	1	

\*Indicates new part numbers activated from March, 1981.

# BRAKE

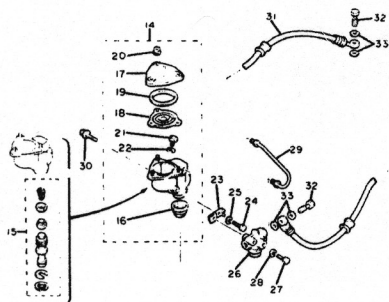


Ref. No.	Part Number	Description	Qty.	Remarks
* 1	10M-27211-00-93	PEDAL, brake	1	Chrome Plated
2	4W1-27212-00-00	SHAFT, brake pedal	1	
3	1A1-27231-01-00	ROD, brake	1	
4	1J3-27222-00-00	JOINT	1	
5	90240-08013-00	PIN, clevis	1	
6	90201-08083-00	WASHER, plate	1	
* 7	91401-18012-00	PIN, cotter	1	
8	95301-08700-00	NUT	1	
9	90153-08008-00	SCREW, hexagon	1	
10	90170-08184-00	NUT	1	
11	90109-06468-00	BOLT	1	
12	92903-06100-00	WASHER, spring (92901-06100)	1	
13	90508-45396-00	SPRING, torsion	1	
* 14	10M-25850-50-00	MASTER CYLINDER ASS'Y	1	
15	4W1-W0042-00-00	CYLINDER KIT, master	1	
16	1J3-25862-51-00	BOOT, master cylinder	1	
17	1J3-25852-52-00	CAP, reservoir	1	
18	1J3-25854-51-00	DIAPHRAGM, reservoir	1	
19	1J3-25855-51-00	BUSH, diaphragm	1	
20	95706-05100-00	NUT, flange	3	
21	90153-10015-00	SCREW, hexagon	1	
22	90201-10610-00	WASHER, plate	1	

\*Indicates new part numbers activated from March, 1981.

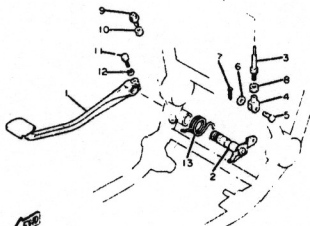
11G171-2400

# BRAKE



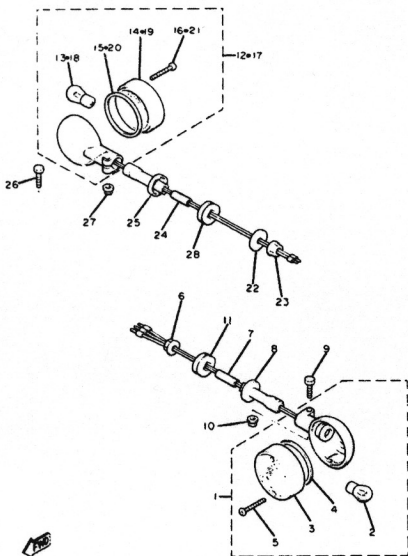
Ref. No.	Part Number	Description	Qty.	Remarks
*23	10M-25984-00-00	SUPPORT, bracket	1	
24	97306-06010-00	BOLT	1	
25	92906-06100-00	WASHER, spring	1	
26	4W1-25884-00-00	VALVE, proportioning	1	
27	97301-06035-00	BOLT	1	
28	92903-06100-00	WASHER, spring (92901-06100)	1	
*29	10M-25871-00-00	PIPE, brake	1	
30	90105-08141-00	BOLT, washer based	2	
31	4W1-25874-50-00	HOSE, brake	1	
32	4H3-25877-00-00	BOLT, oil 1	2	
33	90201-10118-00	WASHER, plate	4	

\*Indicates new part numbers activated from March, 1981.



11G171-2400

# FLASHER LIGHT



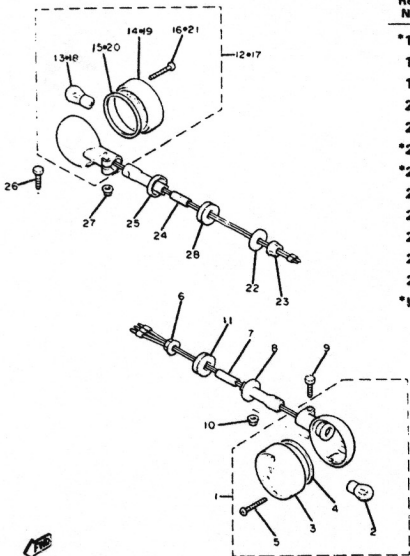
Ref. No.	Part Number	Description	Qty.	Remarks
* 1	10M-83310-K0-00	FRONT FLASHER LIGHT ASS'Y 1	2	
2	256-84714-61-00	BULB (12V-27/8W)	1	
3	4H7-83312-00-00	LENS, flasher	1	
4	4H7-83313-00-00	GASKET, flasher lens	1	
5	98501-03030-00	SCREW, pan head	2	
6	95702-12100-00	NUT, flange	2	
* 7	10M-83325-00-00	BOLT, flasher stay fitting	2	
8	4X7-83328-00-00	STAY, flasher 2	2	
9	97301-06030-00	BOLT (97303-06030)	2	
10	95701-06100-00	NUT, flange	2	
11	341-83321-01-00	DAMPER, flasher 1	2	
* 12	10M-83330-E0-00	REAR FLASHER LIGHT ASS'Y 1	1	
13	256-83311-70-00	BULB (12V-27W)	1	
14	4H7-83312-00-00	LENS, flasher	1	
15	4H7-83313-00-00	GASKET, flasher lens	1	
16	98501-03030-00	SCREW, pan head	2	

\*Indicates new part numbers activated from March, 1981.

67

11G171-2410

# FLASHER LIGHT

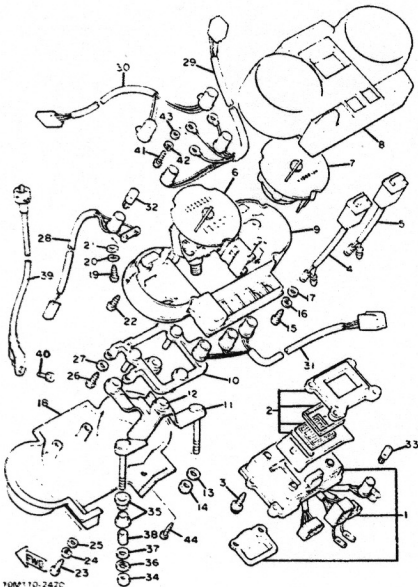


Ref. No.	Part Number	Description	Qty.	Remarks
*17	10M-83340-E0-00	REAR FLASHER LIGHT ASS'Y ...	1	
18	2E6-83311-70-00	. BULB (12V-27W) .....	1	
19	4H7-83312-00-00	. LENS, flasher .....	1	
20	4H7-83313-00-00	. GASKET, flasher lens .....	1	
21	98501-03030-00	. SCREW, pan head .....	2	
*22	90209-12222-00	WASHER .....	2	
*23	90170-12292-00	NUT .....	2	
24	4X7-83325-00-00	BOLT, flasher stay fitting .....	2	
25	4X7-83328-00-00	STAY, flasher 2 .....	2	
26	97301-08030-00	BOLT (97303-08030) .....	2	
27	95701-06100-00	NUT, flange .....	2	
28	1E6-83321-00-00	DAMPER, flasher 1 .....	2	

\*Indicates new part numbers activated from March, 1981.

68

# SPEEDOMETER - TACHOMETER



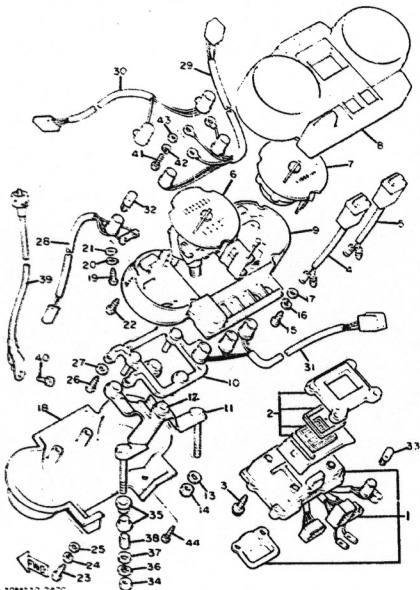
Ref. No.	Part Number	Description	Qty.	Remarks
* 1	10M-W8352-00-00	PRINT BOARD ASS'Y	1	
* 2	10M-W8351-00-00	LCD UNIT SET	1	
* 3	90159-04055-00	SCREW, with washer	4	
4	5G2-8358J-10-00	SWITCH, meter control	1	
5	5G2-8358J-20-00	SWITCH, meter control	1	
* 6	10M-83570-A0-00	SPEEDOMETER ASS'Y	1	
* 7	10M-83540-00-00	TACHOMETER ASS'Y	1	
* 8	10M-83559-00-00	COVER, meter	1	
* 9	10M-8353H-00-00	CASE, inner	1	
*10	10M-83519-50-00	BRACKET, meter	1	
*11	10M-83519-00-00	BRACKET, meter	1	
12	4X7-83523-00-00	DAMPER	3	
13	90201-052E2-00	WASHER, plate	3	
14	95301-05600-00	NUT	3	
15	98501-04012-00	SCREW, pan head	2	
16	92901-04100-00	WASHER, spring	2	
17	92901-04600-00	WASHER, plate	2	
*18	10M-83579-00-00	COVER, meter 2	1	
19	98501-04008-00	SCREW, pan head	2	
20	92901-04100-00	WASHER, spring	2	
21	92901-04600-00	WASHER, plate	2	
22	97702-40512-00	SCREW, tapping	6	

\*Indicates new part numbers activated from March, 1981.

69



# SPEEDOMETER - TACHOMETER



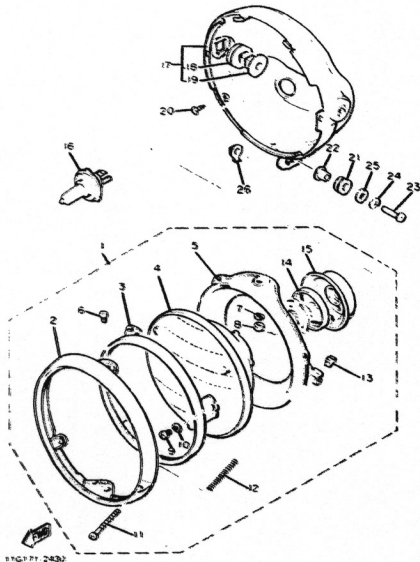
10M\*10-242C

Ref. No.	Part Number	Description	Qty.	Remarks
23	98503-04010-00	SCREW, pan head.....	2	
24	92901-04100-00	WASHER, spring.....	2	
25	92901-04600-00	WASHER, plate.....	2	
26	98501-04008-00	SCREW, pan head.....	4	
27	92901-04600-00	WASHER, plate.....	4	
*28	10M-83520-20-00	SOCKET CORD ASS'Y.....	1	
*29	10M-83520-10-00	SOCKET CORD ASS'Y.....	1	
*30	10M-83509-10-00	SOCKET CORD ASS'Y.....	1	
*31	10M-83509-00-00	SOCKET CORD ASS'Y.....	1	
32	4G1-84744-00-00	BULB (12V-3.4W).....	8	
33	4G1-84744-00-00	BULB (12V-3.4W).....	1	
34	95301-06600-00	NUT.....	2	
35	584-83541-00-00	DAMPER.....	4	
36	92903-06100-00	WASHER, spring (92901-06100)	2	
37	90201-06067-00	WASHER, plate.....	2	
38	90387-06249-00	COLLAR.....	2	
*39	10M-83550-00-00	SPEEDOMETER CABLE ASS'Y	1	
40	90153-06004-00	SCREW, hexagon.....	1	
41	98501-03008-00	SCREW, pan head.....	3	
42	92901-03100-00	WASHER, spring.....	3	
43	92901-03600-00	WASHER, plate.....	3	
*44	90184-04009-00	SCREW, tapping.....	3	

\*Indicates new part numbers activated from March, 1981.

610

# HEADLIGHT

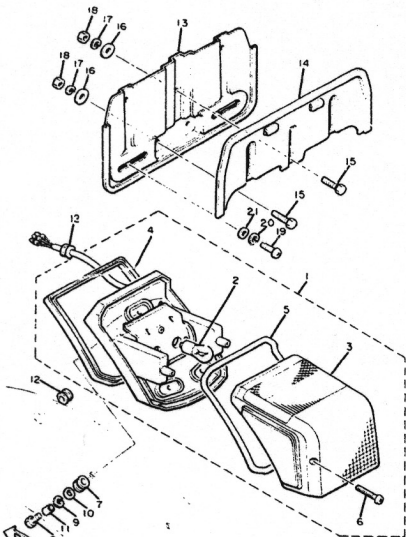


Ref. No.	Part Number	Description	Qty.	Remarks
1	2F3-84303-A0-00	HEADLIGHT UNIT ASS'Y	1	
2	341-84315-40-00	RIM, headlight	1	
3	2F9-84395-00-00	RING, retaining	1	
4	2F3-84321-A0-00	LENS, headlight	1	
5	2F9-84394-00-00	RING, mounting	1	
6	98501-05010-00	SCREW, pan head	2	
7	92903-05100-00	WASHER, spring (92901-05100)	2	
8	95301-05600-00	NUT	2	
9	98501-04008-00	SCREW, pan head	3	
10	92901-04100-00	WASHER, spring	3	
11	2F9-84331-00-00	SCREW, rim adjusting	1	
12	341-84332-60-00	SPRING, screw	1	
13	198-84334-60-00	NUT, adjusting	1	
14	2F9-84375-00-00	FITTING PLATE, bulb	1	
15	2F9-24397-01-00	CO'ER, socket	1	
*16	5V2-84314-00-XX	BULB (12V-60/55W)	1	Chrome Plated
*17	10M-84330-0C-93	BODY ASS'Y	1	
*18	10M-84345-00-00	DAMPER, headlight	2	
*19	10M-84338-00-00	COLLAR, body fitting	3	
20	90152-05005-00	SCREW, countersunk	2	
21	90480-13163-00	GROMMET	1	
*22	90387-061F9-00	COLLAR	1	
23	92503-06020-00	SCREW, pan head (92501-06020)	1	
24	92903-06100-00	WASHER, spring (92901-06100)	1	
25	90201-06557-00	WASHER, plate	1	
26	4K0-84327-00-00	WASHER, special	1	

\*Indicates new part numbers activated from March, 1981.

611

# TAILLIGHT



Ref. No.	Part Number	Description	Qty.	Remarks
* 1	10M-84710-60-00	TAILLIGHT UNIT ASS'Y.....	1	
2	256-84714-61-00	. BULB (12V-27/8W) .....	2	
* 3	10M-84721-00-00	. LENS, taillight.....	1	
* 4	10M-84712-00-00	. SEAT, base .....	1	
* 5	10M-84723-00-00	. GASKET, tail lens.....	1	
6	97701-40130-00	. SCREW, pan head tapping ...	2	
* 7	90480-15318-00	GROMMET.....	3	
8	97301-06025-00	BOLT (97302-06024) .....	3	
9	92903-06100-00	WASHER, spring (92902-06100)	3	
10	90201-06765-00	WASHER, plate .....	3	
11	90387-06026-00	COLLAR .....	3	
12	90480-15061-00	GROMMET.....	2	
*13	10M-84751-10-00	BRACKET, license.....	1	
*14	10M-84750-00-00	STOPPER, number plate .....	1	
15	97301-06016-00	BOLT .....	3	
16	90201-06765-00	WASHER, plate .....	3	
17	92903-06100-00	WASHER, spring (92902-06100)	3	
18	95302-06600-00	NUT.....	3	
19	92503-06012-00	SCREW, pan head (92501-06012)	2	
20	92903-06100-00	WASHER, spring (92901-06100)	2	
21	92903-06200-00	WASHER, plain (92901-06200)	2	

\*Indicates new part numbers activated from March, 1981.

11G171-2442

612

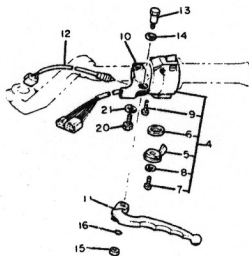
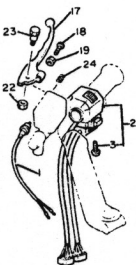
Headlight / Taillight / Signal Rating

12V60-55W / 12V27-8W / 12V27W

# HANDLE SWITCH - LEVER

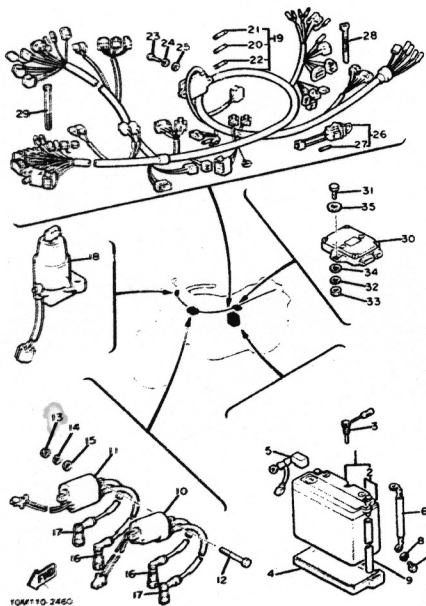
Ref. No.	Part Number	Description	Qty.	Remarks
1	1A0-83980-30-00	FRONT STOP SWITCH ASS'Y ...	1	
* 2	10M-83963-00-00	SWITCH, handle 3 .....	1	
3	98506-05020-00	. SCREW, pan head .....	2	
* 4	10M-83973-00-00	SWITCH, handle 3 .....	1	
* 5	10M-83941-00-00	. LEVER, starter .....	1	
6	90209-10131-00	. WASHER .....	1	
7	92501-06008-00	. SCREW, pan head .....	1	
8	92903-06100-00	. WASHER, spring (92901-06100)	1	
9	98506-05020-00	. SCREW, pan head .....	2	
*10	10M-82911-00-00	HOLDER, lever 1 .....	1	
*11	10M-83912-00-00	LEVER 1 .....	1	
12	3Y6-82917-00-00	SWITCH .....	1	
13	90109-06576-00	BOLT .....	1	
14	90201-082A9-00	WASHER, plate .....	1	
15	95606-06100-00	NUT, U .....	1	
16	93210-11368-00	O-RING .....	1	
17	2J2-83922-00-00	LEVER 2 .....	1	
18	90149-06131-00	SCREW .....	1	
19	90170-06010-00	NUT .....	1	
20	97306-06022-00	BOLT .....	1	
21	92906-06100-00	WASHER, spring .....	1	
22	95601-06100-00	NUT, U .....	1	
23	90109-06465-00	BOLT .....	1	
24	90501-10510-00	SPRING, compression .....	1	

\*Indicates new parts numbers activated from March, 1981.



11G171-2450

# ELECTRICAL 1

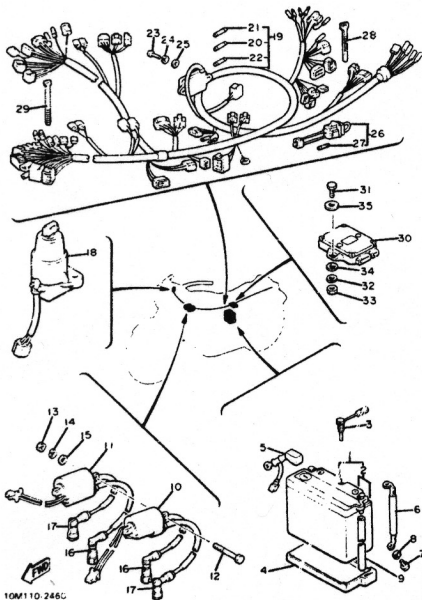


Ref. No.	Part Number	Description	Qty.	Remarks
* 1	11K-82110-80-00	BATTERY ASS'Y . . . . .	1	
* 2	LIT-82141-09-00	LABEL, battery (118-82141-09)	1	
3	5G2-82120-00-00	SENDER, battery . . . . .	1	
* 4	2H7-82122-01-00	SEAT, battery . . . . .	1	
* 5	10M-82115-00-00	WIRE, plus lead . . . . .	1	
* 6	10M-82116-00-00	WIRE, minus lead . . . . .	1	
7	92503-06012-00	SCREW, pan head (92501-06012)	1	
8	92903-06100-00	WASHER, spring (92901-06100)	1	
9	90445-08336-00	HOSE . . . . .	1	
10	4H7-82310-80-00	IGNITION COIL ASS'Y . . . . .	1	
11	4H7-82320-80-00	IGNITION COIL ASS'Y . . . . .	1	
12	97301-06085-00	BOLT . . . . .	2	
13	95302-06600-00	NUT . . . . .	2	
14	92903-06100-00	WASHER, spring (92902-06100)	2	
15	92903-06200-00	WASHER (92902-06200) . . . . .	2	
16	1J7-82370-00-00	PLUG CAP ASS'Y . . . . .	2	
17	256-82370-00-00	PLUG CAP ASS'Y . . . . .	2	
	1J7-82370-10-00	PLUG CAP ASS'Y (with noise suppressor) . . . . .	2	Alternate Part
	2H8-82370-10-00	PLUG CAP ASS'Y (with noise suppressor) . . . . .	2	Alternate Part

\*Indicates new part numbers activated from March, 1981.

Battery: Model / Specific Gravity / Charge Rate	G5 GM18Z-3A (12V 20AH) / 1.28 / 2.0A
Maximum Output	14V 26A @ 5000 rpm
TROUBLESHOOTING	
Ignition Coil Test Gap / Primary $\Omega$ / Secondary $\Omega$	6mm / 2.50 $\pm$ 10% / 11K $\Omega$ $\pm$ 20%
Pulser Coil or Pickup Coil Color Code / $\Omega$	Org ~ Blk / Gry ~ Blk / 1200 $\pm$ 10%
Source Coil Color Code / $\Omega$	g
Lighting SYSTEM	
Headlight / Taillight / Signal Rating	12V40-55W / 12V27-8W / 12V27W

# ELECTRICAL 1



10M110-246C

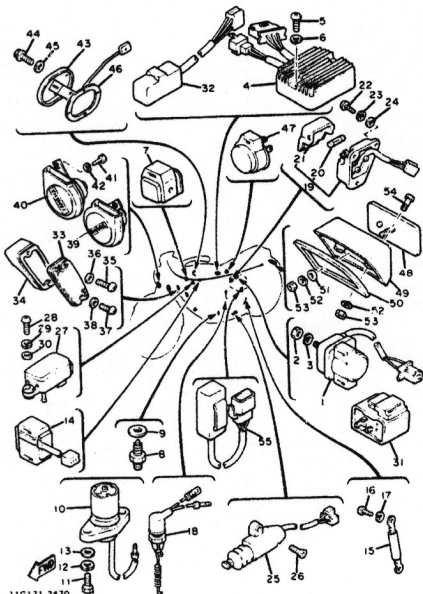
#3

Ref. No.	Part Number	Description	Qty.	Remarks
*18	10M-82508-50-00	MAIN SWITCH ASS'Y .....	1	
*19	10M-82590-50-00	WIRE HARNESS ASS'Y .....	1	
20	1A0-82151-00-00	FUSE (12V-10A).....	3	
21	1A0-82161-00-00	FUSE (12V-20A).....	1	
22	3H5-81980-00-00	DIODE .....	1	
23	98501-05016-00	SCREW, panhead .....	2	
24	92903-05100-00	WASHER, spring (92901-05100)	2	
25	92901-05600-00	WASHER, plate .....	2	
26	3H5-82150-00-00	FUSE HOLDER ASS'Y .....	1	
27	2H7-82151-00-00	FUSE (12V-30A).....	2	
28	447-82591-00-00	BAND .....	1	
29	435-13474-00-00	BAND .....	4	
*30	10M-82305-10-00	IGNITOR UNIT ASS'Y .....	1	
31	97301-06020-00	BOLT .....	2	
32	92903-06100-00	WASHER, spring (92901-06100)	2	
33	95301-06600-00	NUT .....	2	
34	92903-06200-00	WASHER, plain (92901-06200)	2	
35	90201-06053-00	WASHER, plate .....	2	

\*Indicates new part numbers activated from March, 1981.

TROUBLESHOOTING	
Ignition Coil Test Gap / Primary $\Omega$ / Secondary $\Omega$	6mm / 2.50 $\pm$ 10% / 41K $\Omega$ $\pm$ 20%
Pulser Coil or Pickup Coil Color Code / $\Omega$	Org ~ Blk / Gry ~ Blk / 4200 $\pm$ 10%
Source Coil Color Code / $\Omega$	W
LIGHTING SYSTEM	
Headlight / Taillight / Signal Rating	12V60-55W / 12V27-8W / 12V27W
Battery: Model / Specific Gravity / Charge Rate	G5 GM16Z-3A (12V 20AH) / 1.28 / 2.0A
Maximum Output	14V 25A @ 5000 rpm

# ELECTRICAL 2



11G171-2470

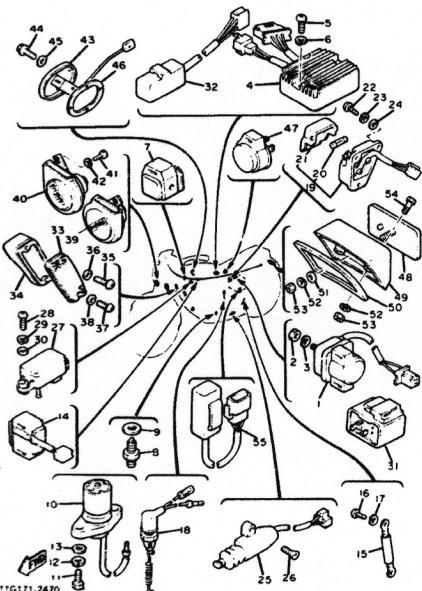
H9

Ref. No.	Part Number	Description	Qty.	Remarks
1	3H5-81940-00-00	STARTER SWITCH ASS'Y.....	1	
2	95301-06700-00	NUT.....	2	
3	92903-06100-00	WASHER, spring (92901-06100)	2	
* 4	10M-81960-A0-00	RECTIFIER & REGULATOR ASS'Y	1	
5	92501-06030-00	SCREW, pan head.....	2	
6	92903-06100-00	WASHER, spring (92901-06100)	2	
7	4U8-81950-00-00	SIDE STAND RELAY ASS'Y ....	1	U.R.
	4H7-81950-01-00	STARTER CIRCUIT CUT-OFF RELAY .....	1	U.R.
8	2H7-82540-00-00	NEUTRAL SWITCH ASS'Y .....	1	
9	90430-10148-00	GASKET .....	1	
*10	10M-85720-00-00	OIL LEVEL GAUGE ASS'Y.....	1	
11	97321-08020-00	BOLT.....	2	
12	92903-06100-00	WASHER, spring (92901-06100)	2	
13	92901-06600-00	WASHER, plate .....	2	
14	2H7-82576-00-00	EMERGENCY STOP SWITCH ASS'Y .....	1	
15	2H7-82519-00-00	WIRE, earth lead.....	1	
16	92503-06012-00	SCREW, pan head (92501-06012)	1	
17	92903-06100-00	WASHER, spring (92901-06100)	1	

\*Indicates new part numbers activated from March, 1981.

TROUBLESHOOTING	
Ignition Coil Test Gap / Primary $\Omega$ / Secondary $\Omega$	6mm / 2.5 $\Omega$ $\pm$ 10% / 11k $\Omega$ $\pm$ 20%
Pulser Coil or Pickup Coil Color Code / $\Omega$	Org ~ Blk / Gry ~ Blk / 120 $\Omega$ $\pm$ 10%
Source Coil Color Code / $\Omega$	g
LIGHTING SYSTEM	
Headlight / Taillight / Signal Rating	12V60-55W / 12V27-8W / 12V27W

# ELECTRICAL 2



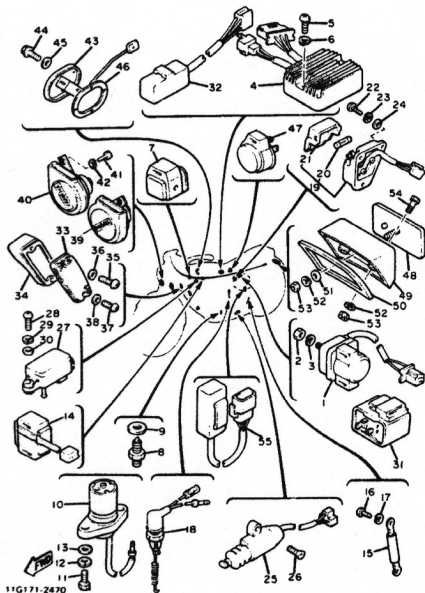
Ref. No.	Part Number	Description	Qty.	Remarks
18	1J7-82530-00-00	STOP SWITCH ASS'Y .....	1	
19	2H7-81920-00-00	TERMINAL ASS'Y.....	1	
20	1A0-82151-00-00	FUSE (12V-10A).....	1	
21	2H7-81916-00-00	COVER, terminal .....	1	
22	98501-05016-00	SCREW, pan head.....	3	
23	92903-05100-00	WASHER, spring (92901-05100)	3	
24	92901-05600-00	WASHER, plate .....	3	
*25	10M-82566-00-00	SWITCH, side stand.....	1	
*26	98706-05020-00	SCREW, flat head.....	2	
*27	10M-82380-10-00	SENSOR, pressure .....	1	
28	92503-06020-00	SCREW, pan head (92501-06020)	2	
29	92903-06100-00	WASHER, spring (92902-06100)	2	
30	90201-06067-00	WASHER, plate .....	2	
31	4E6-83350-70-00	FLASHER RELAY ASS'Y .....	1	
32	1A0-83395-03-00	FLASHER CANCELLING UNIT... 1		
33	3G1-85110-00-00	FRONT REFLECTOR ASS'Y .... 2		
34	3J6-85127-00-00	BASE, reflector .....	2	
35	98501-04035-00	SCREW, pan head.....	2	
36	92901-04600-00	WASHER, plate .....	2	
37	98503-04014-00	SCREW, pan head (98503-04015)	2	
38	92901-04600-00	WASHER, plate.....	2	

\*Indicates new part numbers activated from March, 1981.

TROUBLESHOOTING	
Ignition Coil Test Gap / Primary $\Omega$ / Secondary $\Omega$	6mm / 2.50 $\pm$ 10% / 11K $\Omega$ $\pm$ 20%
Pulser Coil or Pickup Coil Color Code / $\Omega$	Org ~ Blk / Gry ~ Blk / 1200 $\pm$ 10%
Source Coil Color Code / $\Omega$	$\emptyset$
LIGHTING SYSTEM	
Headlight / Taillight / Signal Rating	12V60-55W / 12V27-8W / 12V27W



# ELECTRICAL 2



Ref. No.	Part Number	Description	Qty.	Remarks
*39	10M-83371-20-00	HORN .....	1	
*40	10M-83371-30-00	HORN .....	1	
41	97306-08014-00	BOLT .....	2	
42	92906-08100-00	WASHER, spring .....	2	
*43	10M-85752-00-00	SENDER UNIT ASS'Y, fuel meter	1	
44	95802-08014-00	BOLT, flange (95801-06014) ....	4	
45	90202-06010-00	WASHER, plate .....	4	
46	2H7-85753-00-00	GASKET, sender unit .....	1	
47	3H5-83380-00-00	HAZARD FLASHER RELAY ASS'Y	1	
48	3Y6-85130-00-00	REAR REFLECTOR ASS'Y .....	1	
*49	10M-85137-00-00	BASE, reflector rear .....	1	
*50	10M-85129-00-00	GASKET, reflector .....	1	
51	92901-05200-00	WASHER (92902-05200) .....	1	
52	92903-05100-00	WASHER, spring (92902-05100)	3	
53	95301-05600-00	NUT (95302-05600) .....	3	
54	97301-05020-00	BOLT .....	2	
*55	10M-84308-00-00	RESERVE LIGHTING UNIT ASS'Y	1	

\*Indicates new part numbers activated from March, 1981.

<b>TROUBLESHOOTING</b>	
Ignition Coil Test Gap / Primary $\Omega$ / Secondary $\Omega$	6mm / 2.50 $\pm$ 10% / 11K $\Omega$ $\pm$ 20%
Pulser Coil or Pickup Coil Color Code / $\Omega$	Org ~ Blk / Gry ~ Blk / 120 $\Omega$ $\pm$ 10%
Source Coil Color Code / $\Omega$	$\sigma$
<b>LIGHTING SYSTEM</b>	
Headlight / Taillight / Signal Rating	12V60-55W / 12V27-8W / 12V27W

# ACCESSORIES AND SPECIALTIES

APPAREL (Many sizes and colors are available in addition to this list.)

ACC-1111-11-77-01	SPORTSHIRT.....
ACC-11111-78-01	SPORTSHIRT.....
ACC-11111-03-01	MOTORCYCLE RAIN SUIT.....
ACC-11100-79-01	TRIALS CAP.....
ACC-11100-79-11	TRIALS CAP.....
ACC-11100-69-00	KNIT CAP.....
ACC-11111-04-10	SUN VISOR.....
ACC-11111-04-00	MOTORCYCLE BASEBALL CAP.....
ACC-11112-06-02	YAMAHA HOT HAT.....
ACC-33333-10-36	XS LEATHER JACKET.....
ACC-11111-99-11	BLACK MOTORCYCLE JACKET.....
ACC-11111-99-01	BROWN MOTORCYCLE JACKET.....
ACC-11122-15-01	TOURING GLOVE, BLACK.....
ACC-11122-20-01	TOURING GLOVE, BROWN.....
ACC-11122-30-01	WINTER GLOVE, BROWN.....
ACC-11122-25-01	WINTER GLOVE, BLACK.....
ACC-11111-99-21	BLACK SATIN JACKET.....
ACC-11111-99-31	RED WINDBREAKER.....
ACC-11111-99-41	BLUE WINDBREAKER.....
ACC-11111-99-51	BLACK WINDBREAKER.....
ACC-22200-10-01	BLUE RAIN SUIT.....

COLOR COORDINATED HELMET (Many colors and sizes are available in addition to this list.)

ACC-10000-90-S1	FULL COVERAGE, WHITE.....	SMALL
ACC-10000-90-S2	FULL COVERAGE, WHITE.....	MEDIUM
ACC-10000-90-S3	FULL COVERAGE, WHITE.....	LARGE
ACC-10000-90-S4	FULL COVERAGE, WHITE.....	X-LARGE
ACC-10000-90-F1	FULL FACIAL, WHITE.....	SMALL
ACC-10000-90-F2	FULL FACIAL, WHITE.....	MEDIUM
ACC-10000-90-F3	FULL FACIAL, WHITE.....	LARGE
ACC-10000-90-F4	FULL FACIAL, WHITE.....	X-LARGE

GOGGLES, SHIELDS AND VISORS (Many sizes and colors are available.)

ACC-11200-14-11	GOGGLE, STANDARD MCY.....	WHITE FRAME
ACC-11200-14-12	GOGGLE, STANDARD MCY.....	BLACK FRAME
ACC-11000-11-01	BUBBLE VISOR.....	BLACK
ACC-11000-11-02	BUBBLE VISOR.....	WHITE
ACC-11000-11-03	BUBBLE VISOR.....	SMOKE
ACC-11001-03-00	DUCKBILL VISOR.....	WHITE
ACC-11001-04-00	DUCKBILL VISOR.....	BLACK
ACC-11001-04-01	DUCKBILL VISOR.....	SMOKE
ACC-11000-09-01	FLAT SHIELD.....	CLEAR
ACC-11000-09-03	FLAT SHIELD.....	AMBER
ACC-11000-09-05	FLAT SHIELD.....	SMOKE
YAMAHA BELTS (All sizes, 24 through 40 inch, are available, every two inches.)		
ACC-11111-05-24	YAMAHA BELT.....	SIZE 24
ACC-11111-05-40	YAMAHA BELT.....	SIZE 40
ACC-11111-00-24	RACING BELT.....	SIZE 24
ACC-11111-00-40	RACING BELT.....	SIZE 40
ACC-11111-00-78	XS ELEVEN BELT BUCKLE.....	

LUBRICANTS AND CLEANERS

ACC-11000-39-00	YAMALUBE 4 CYCLE OIL (Quarts).....	24 CANS
ACC-11001-13-00	CHAIN & CABLE LUBRICANT (13 oz.).....	1 DOZEN
ACC-11001-28-10	FORK & SHOCK OIL (10 WT.).....	1 DOZEN
ACC-11001-28-20	FORK & SHOCK OIL (20 WT.).....	1 DOZEN
ACC-11001-28-30	FORK & SHOCK OIL (30 WT.).....	1 DOZEN
ACC-11001-14-01	SPARK PLUG & ELECTRIC CONTACT CLEANER (13 oz.).....	1 DOZEN
ACC-11001-19-00	PROTECTANT (8 oz.).....	1 DOZEN
ACC-11001-32-00	MUD & GREASE RELEASE AEROSOL.....	1 DOZEN
ACC-11100-24-00	TIRE SEALER (8 oz.).....	2 DOZEN

# XJ1100J

## 1982 SERVICE DATA

MODEL - IEM I.D. NUMBER	XJ1100J-B	XJ1100J-R	10M
Initial Engine Number / Frame Number	10M-000101 / 10M-000101		
Basic Color(s)	New Yamaha Black (B) New Ruby Red (R)		
Fuel Type / Fuel Tank Capacity / Reserve Capacity	Regular / 19 Lit. / 4.1 Lit.		
Dry Vehicle Weight	257 kg		
<b>ENGINE TYPE</b>	4-Stroke, DOHC, Transverse Four		
Bore/Stroke/Number Cylinders/Displacement (cc)	71.5mm / 68.6mm / 4 / 1101cc		
Compression Ratio/Compression Pressure	9.0:1 / 10.0 kg/cm <sup>2</sup>		
Piston Skirt Clearance New / Max	0.050 ~ 0.055mm / 0.1mm		
Ring End Gap Top / 2nd / 3rd	0.2 ~ 0.4mm / 0.2 ~ 0.4mm / 0.2 ~ 0.9mm		
Valve Clearance (Cold) Intake / Exhaust	0.11 ~ 0.15mm / 0.21 ~ 0.25mm		
Oil Pressure Hot / rpm	1.5 kg/cm <sup>2</sup> @ 60°C / 1100 rpm @ Oil Pressure Switch		
Oiling System	Wet Sump		
Capacity: Dry	4000cc		
Oil and Filter Change	3500cc		
Oil Change	3000cc		
Lubricant: Temp. Above 5°C (40°F)	Yamatube 4" or SAE 20W40 SE		
Temp. Below 15°C (60°F)	SAE 10W30 SE		
Cooling System / Capacity	Air / $\emptyset$		
Coolant / Mixing Ratio	$\emptyset$ / $\emptyset$		
<b>AUTOLUBE</b> - Min Stroke / Color Code	$\emptyset$		
Minimum Output @ 200 Cycles	$\emptyset$		
Maximum Output @ 200 Cycles	$\emptyset$		
<b>CAMSHAFTS</b> - Mtr. / Type / I.D. Number	Mikuni / BS34 / 10M-00		
Main Jet / Pilot Jet	112.5 / 47.5		
Needle Jet / Jet Needle-Clip Position	X-2 / 5GLZ-34 Fixed		
Slide Cutaway or Throttle Valve	135		
Foat Level / Fuel Level	NA / 3.0 $\pm$ 1mm		
Idle rpm	1100 rpm		
Max CO <sup>2</sup> / Max HC <sup>2</sup> / Set CO	6.0% / 800 ppm / 3.0% (All Settings @ Idle)		
<b>SUSPENSION</b>			
Front Forks: Oil Type / Level / Qty	10 Wt. Fork Oil* / 210mm / 250cc		
Air Pressure Min ~ Max / Standard	0.4 ~ 1.2 kg/cm <sup>2</sup> / 0.4 kg/cm <sup>2</sup>		
Spring Length Std	599.2mm		
Monoshock: Oil Type / Qty	$\emptyset$		
Air Pressure: Min ~ Max / Standard	1.0 ~ 4.0 kg/cm <sup>2</sup> / 1.0 kg/cm <sup>2</sup>		
Minimum Brake Lining Thickness	Front: 0.8mm Rear: 0.8mm		
Tire Size (Nominal Pressure)	F-3.50H19 (1.8 kg/cm <sup>2</sup> ) R-130/90-16 67H (2.0 kg/cm <sup>2</sup> )		
<b>TRANSMISSION</b> - Oil Type/Qty Chg/Qty Reassemble	See ENGINE Above		
Primary Drive Type / Teeth / Ratio	Spur Gear / 25-25 x 58-35 / 1.657		
Secondary Drive Type / Teeth / Chain	Shaft / 44-47 x 19-18 x 33-10 / 3.261		
Clutch Friction Plate Thickness Std ~ Min	3.0 ~ 2.8mm		
Clutch Spring Length Std ~ Min	42.8 ~ 41.8mm		
Middle Gear Case Capacity	375cc		
Final Gear Case Capacity	300cc		
Gear Case Lubricant: Temp. Above 5°C (40°F)	SAE 90 Hypoid Gear Oil GL-4		
Temp. Below 15°C (60°F)	SAE 90 Hypoid Gear Oil GL-4		
All Weather Conditions	SAE 80W90 Hypoid Gear Oil GL-4		

# SERVICE DATA

<b>CHARGING SYSTEM</b>	AC Generator / 3-Phase / Full Wave
Battery: Model / Specific Gravity / Charge Rate	GS GM182-3A (12V 20AH) / 1.28 / 2.0A
Maximum Output	14V 26A @ 5000 rpm
<b>TROUBLESHOOTING</b>	
Field Coil Color Code / $\Omega$	Rotor: Gr~Blk/4.00 $\pm$ 10% Stator: Whr~Whr/0.370 $\pm$ 10%
Charge Coil Color Code / $\Omega$	$\emptyset$
<b>IGNITION SYSTEM</b>	Transistor-Controlled Ignition
Ignition Timing	15° Mark
Spark Plug Type	5° @ 1100 rpm Full Adv: 36° @ 5500 rpm
Spark Plug Gap / Torque / Cap $\Omega$	NGK BP6ES or ND W20EP-U
Point Gap / Condenser Capacitance	0.7 ~ 0.8mm / 2.0 m-kg / 5K $\Omega$ $\pm$ 10%
<b>TROUBLESHOOTING</b>	
Ignition Coil Test Gap / Primary $\Omega$ / Secondary $\Omega$	6mm / 2.50 $\pm$ 10% / 11K $\Omega$ $\pm$ 20%
Pulser Coil or Pickup Coil Color Code / $\Omega$	Org ~ Blk / Gry ~ Blk / 1200 $\pm$ 10%
Source Coil Color Code / $\Omega$	$\emptyset$
<b>LIGHTING SYSTEM</b>	
Headlight / Taillight / Signal Rating	12V60-35W / 12V27-8W / 12V27W
<b>TROUBLESHOOTING</b>	
Lighting Coil Color Code / $\Omega$	$\emptyset$
<b>TORQUE VALUES</b>	
Front Axle Nut	14 x 1.5: 11.0 m-kg
Front Axle Holder Nut	8 x 1.5: 2.0 m-kg
Rear Axle Nut	18 x 1.5: 15.0 m-kg
Rear Axle Pinch Bolt	8 x 1.25: 0.6 m-kg
Clutch Nut	18 x 1.0: 7.0 m-kg
Drain Plug	14 x 1.5: 4.25 m-kg
Cylinder Head Cover	6 x 1.0: 1.0 m-kg
Cylinder Head:	10 x 1.25: 3.5 m-kg (Use Oil)
	Nut 8 x 1.25: 2.0 m-kg Bolt 6 x 1.0: 1.0 m-kg
Engine Mounting Bolts: Front, Upper	10 x 1.25: 5.5 m-kg
Front, Lower	10 x 1.25: 6.7 m-kg
Rear	12 x 1.25: 10.0 m-kg

$\emptyset$  = Does Not Apply to This Model  
NA = Information Not Available

\* Available From Yamaha Parts Distributors Inc.  
\* For Diagnostic Use Only

### SERVICE LITERATURE

PUBLICATION	PART NUMBER	REMARKS
Owner's Manual	LT-11626-02-78	
Service Manual	LT-11616-02-78	
Assembly Manual	LT-11666-02-78	
Consumer Information	LT-11656-02-78	